

**TCM**

*Innovative Machine*  
**INOMA**



**Engine-Powered Forklift Trucks**

**2.0-3.5 ton**

(Counter-Balanced Type)

**SPECIFICATIONS**

**STANDARD SPECIFICATIONS**

| 1                          | Manufacturer  |                            | TCM                      |              |                       |              |  |
|----------------------------|---|----------------------------|--------------------------|--------------|-----------------------|--------------|--|
|                            | Model   |                            | FG20C3                   | FG20T3       | FG25C3                | FG25T3       |  |
| 3                          | Load Capacity   |                            | 2000                     |              | 2500                  |              |  |
| 4                          | Load Center   |                            | 500                      |              | 500                   |              |  |
| 5                          | Power Type  |                            | Gasoline                 |              | Gasoline              |              |  |
| 6                          | Operator Position   |                            | Seated                   |              | Seated                |              |  |
| 7                          | Tire Type   | Front / Rear               | Pneumatic                |              | Pneumatic             |              |  |
| 8                          | Wheels (x = driven)   | Front / Rear               | 2X / 2                   |              | 2X / 2                |              |  |
| 9                          | Maximum Fork Height   |                            | 3000                     |              | 3000                  |              |  |
| 10                         | Free Lift   |                            | 110                      |              | 110                   |              |  |
| 13                         | Fork Size   | L x W x T                  | 1070 x 122 x 40          |              | 1070 x 122 x 40       |              |  |
| 13                         | Fork Spread (Outside)   | Max. / Min.                | 1020 / 244               |              | 1020 / 244            |              |  |
| 14                         | Tilt Angle  | Fwd. / Bwd.                | 6 / 12                   |              | 6 / 12                |              |  |
| 15                         | Length to Fork Face   |                            | 2485                     |              | 2555                  |              |  |
| 16                         | Overall Width   |                            | 1150                     |              | 1150                  |              |  |
| 17                         | Mast Height Fork Lowered  |                            | 2030                     |              | 2030                  |              |  |
| 18                         | Mast Height Fork Raised   |                            | 4030                     |              | 4030                  |              |  |
| 19                         | Overhead Guard Height(EXB,EXK)                                  |                            | 2070                     |              | 2070                  |              |  |
| 19                         | Overhead Guard Height(EXC,EXE,EXN)                              |                            | 2130                     |              | 2130                  |              |  |
| 20                         | Operator's Seat Height  |                            | 1045                     |              | 1045                  |              |  |
| 21                         | Turning Radius (Outside)  |                            | 2170                     |              | 2240                  |              |  |
| 22                         | Load Distance (Centerline of front axle to front face of forks) |                            | 450                      |              | 450                   |              |  |
| 22                         | Rear Overhang   |                            | 435                      |              | 505                   |              |  |
| 23                         | Basic Right Angle Stacking Aisle Width                          |                            | 3890                     |              | 3960                  |              |  |
| 24                         | Speeds  | Travel, Max. (Fwd. / Rvs.) | Full Load                | km/h         | 18.5                  | 18.5         |  |
|                            |   |                            | No Load                  | km/h         | 19                    | 19           |  |
|                            |   | Lifting                    | Full Load                | mm/sec       | 540                   | 540          |  |
|                            |   |                            | No Load                  | mm/sec       | 580                   | 580          |  |
|                            |   | Lowering                   | Full Load                | mm/sec       | 450                   | 450          |  |
|                            |   |                            | No Load                  | mm/sec       | 550                   | 550          |  |
| 28                         | Max. Drawbar Pull   | Full Load                  | kN                       | 12.3         | 16.7                  |              |  |
|                            |   | No Load                    | kN                       | 8.3          | 8.3                   |              |  |
| 30                         | Max. Gradeability*  | Full Load                  | %                        | 20           | 24                    |              |  |
|                            |   | No Load                    | %                        | 20           | 20                    |              |  |
| 32                         | Total Weight  |                            | 3210                     |              | 3570                  |              |  |
| 33                         | Weight Distribution   | Full Load                  | Front                    | kg           | 4610                  | 5350         |  |
|                            |   |                            | Rear                     | kg           | 600                   | 720          |  |
| 34                         | No Load   | Front                      | kg                       | 1430         | 1370                  |              |  |
|                            |   | Rear                       | kg                       | 1780         | 2200                  |              |  |
| 35                         | Number  | Front / Rear               | 2 / 2                    |              | 2 / 2                 |              |  |
| 36                         | Tires   | Front                      | 7.00-12-12PR(I)          |              | 7.00-12-12PR(I)       |              |  |
|                            |   | Rear                       | 6.00-9-10PR(I)           |              | 6.00-9-10PR(I)        |              |  |
| 37                         | Size  | Front                      | 7.00-12-12PR(I)          |              | 7.00-12-12PR(I)       |              |  |
| 37                         | Size  | Rear                       | 6.00-9-10PR(I)           |              | 6.00-9-10PR(I)        |              |  |
| 38                         | Wheelbase   |                            | 1600                     |              | 1600                  |              |  |
| 39                         | Tread   | Front                      | 970                      |              | 970                   |              |  |
|                            |   | Rear                       | 970                      |              | 970                   |              |  |
| Backrest Height            |   | 1000                       |                          | 1000         |                       |              |  |
| Overhead Guard Clearance   |   | 1005                       |                          | 1005         |                       |              |  |
| Counterweight Height       |   | 1110                       |                          | 1110         |                       |              |  |
| Drawbar Pin Center Height  |   | 530                        |                          | 530          |                       |              |  |
| Step Height / Floor Height |   | 435 / 650                  |                          | 435 / 650    |                       |              |  |
| 40                         | Underclearance  | Min. with Load             | 110                      |              | 110                   |              |  |
|                            |   | Center of Wheelbase        | 120                      |              | 120                   |              |  |
| 42                         | Brake   | Service (Foot)             | Hydraulic-Foot pedal     |              | Hydraulic-Foot pedal  |              |  |
|                            |   | Parking                    | Mechanical-Hand lever    |              | Mechanical-Hand lever |              |  |
| 45                         | Battery   |                            | Voltage / Capacity (5HR) |              | 12 / 30               |              |  |
| 49                         | Internal Combustion Engine                                      | Make / Model               |                          | NISSAN / K21 |                       | NISSAN / K21 |  |
|                            |   | Rated Horsepower / r.p.m.  |                          | 34.6 / 2250  |                       | 34.6 / 2250  |  |
|                            |   | Rated Torque / r.p.m.      |                          | 153.5 / 1600 |                       | 153.5 / 1600 |  |
|                            |   | Number of Cylinder         |                          | 4            |                       | 4            |  |
|                            |   | Piston Displacement        |                          | 2065         |                       | 2065         |  |
|                            |   | Alternator output          |                          | 0.60 / 50    |                       | 0.60 / 50    |  |
| 52                         | Fuel Tank Capacity Type   |                            | 70                       |              | 70                    |              |  |
|                            | Type  | Manual                     | Power-shift              |              | Manual                |              |  |
| 55                         | Transmission  | Stage                      | 2-2                      |              | 1-1                   |              |  |
|                            |   | Fwd.-Rvs.                  | 2-2                      |              | 1-1                   |              |  |
| 57                         | Operating Pressure  |                            | 17.7                     |              | 17.7                  |              |  |

NOTE : \* Computed values.

|  |  | TCM                   |        |                       |         |                       |         |                       |         |                       |
|--|--|-----------------------|--------|-----------------------|---------|-----------------------|---------|-----------------------|---------|-----------------------|
|  |  | FG30C3                | FG30T3 | FHG20C3               | FHG20T3 | FHG25C3               | FHG25T3 | FHG30C3               | FHG30T3 | FG35T3S               |
|  |  | 3000                  |        | 2000                  |         | 2500                  |         | 3000                  |         | 3500                  |
|  |  | 500                   |        | 500                   |         | 500                   |         | 500                   |         | 500                   |
|  |  | Gasoline              |        | Gasoline              |         | Gasoline              |         | Gasoline              |         | Gasoline              |
|  |  | Seated                |        | Seated                |         | Seated                |         | Seated                |         | Seated                |
|  |  | pneumatic             |        | pneumatic             |         | pneumatic             |         | pneumatic             |         | Pneumatic             |
|  |  | 2X / 2                |        | 2X / 2                |         | 2X / 2                |         | 2X / 2                |         | 2X / 2                |
|  |  | 3000                  |        | 3000                  |         | 3000                  |         | 3000                  |         | 3000                  |
|  |  | 165                   |        | 110                   |         | 110                   |         | 165                   |         | 170                   |
|  |  | 1070 x 125 x 45       |        | 1070 x 122 x 40       |         | 1070 x 122 x 40       |         | 1070 x 125 x 45       |         | 1070 x 150 x 50       |
|  |  | 1090 / 250            |        | 1020 / 244            |         | 1020 / 244            |         | 1090 / 250            |         | 1090 / 300            |
|  |  | 6 / 12                |        | 6 / 12                |         | 6 / 12                |         | 6 / 12                |         | 6 / 12                |
|  |  | 2705                  |        | 2485                  |         | 2555                  |         | 2705                  |         | 2800                  |
|  |  | 1225                  |        | 1150                  |         | 1150                  |         | 1225                  |         | 1290                  |
|  |  | 2075                  |        | 2030                  |         | 2030                  |         | 2075                  |         | 2135                  |
|  |  | 4260                  |        | 4030                  |         | 4030                  |         | 4260                  |         | 4255                  |
|  |  | 2090                  |        | 2070                  |         | 2070                  |         | 2090                  |         | 2140                  |
|  |  | 2150                  |        | 2130                  |         | 2130                  |         | 2150                  |         | 2200                  |
|  |  | 1070                  |        | 1045                  |         | 1045                  |         | 1070                  |         | 1120                  |
|  |  | 2400                  |        | 2170                  |         | 2240                  |         | 2400                  |         | 2470                  |
|  |  | 480                   |        | 450                   |         | 450                   |         | 480                   |         | 495                   |
|  |  | 525                   |        | 435                   |         | 505                   |         | 525                   |         | 605                   |
|  |  | 4150                  |        | 3890                  |         | 3960                  |         | 4150                  |         | 4265                  |
|  |  | 19                    |        | 18.5                  |         | 18.5                  |         | 19                    |         | 18.5                  |
|  |  | 19.5                  |        | 19                    |         | 19                    |         | 19.5                  |         | 19                    |
|  |  | 440                   |        | 600                   |         | 600                   |         | 500                   |         | 400                   |
|  |  | 490                   |        | 620                   |         | 620                   |         | 520                   |         | 450                   |
|  |  | 450                   |        | 450                   |         | 450                   |         | 450                   |         | 420                   |
|  |  | 450                   |        | 550                   |         | 550                   |         | 450                   |         | 450                   |
|  |  | 10.8                  |        | 14.2                  |         | 14.2                  |         | 22.1                  |         | 14.2                  |
|  |  | 9.8                   |        | 8.3                   |         | 8.3                   |         | 9.8                   |         | 17.0                  |
|  |  | 14                    |        | 18                    |         | 24                    |         | 36                    |         | 21                    |
|  |  | 20                    |        | 20                    |         | 18                    |         | 20                    |         | 16                    |
|  |  | 4250                  |        | 3230                  |         | 3580                  |         | 4260                  |         | 4820                  |
|  |  | 6350                  |        | 4630                  |         | 5350                  |         | 6350                  |         | 7235                  |
|  |  | 900                   |        | 600                   |         | 730                   |         | 910                   |         | 1085                  |
|  |  | 1620                  |        | 1450                  |         | 1370                  |         | 1620                  |         | 1685                  |
|  |  | 2630                  |        | 1780                  |         | 2210                  |         | 2640                  |         | 3135                  |
|  |  | 2 / 2                 |        | 2 / 2                 |         | 2 / 2                 |         | 2 / 2                 |         | 2 / 2                 |
|  |  | 28x9-15-12PR(I)       |        | 7.00-12-12PR(I)       |         | 7.00-12-12PR(I)       |         | 28X9-15-12PR(I)       |         | 250-15-16PR(I)        |
|  |  | 6.50-10-10PR(I)       |        | 6.00-9-10PR(I)        |         | 6.00-9-10PR(I)        |         | 6.50-10-10PR(I)       |         | 6.50-10-12PR(I)       |
|  |  | 1700                  |        | 1600                  |         | 1600                  |         | 1700                  |         | 1700                  |
|  |  | 1000                  |        | 970                   |         | 970                   |         | 1000                  |         | 1060                  |
|  |  | 970                   |        | 970                   |         | 970                   |         | 970                   |         | 970                   |
|  |  | 1220                  |        | 1000                  |         | 1000                  |         | 1220                  |         | 1220                  |
|  |  | 1005                  |        | 1005                  |         | 1005                  |         | 1005                  |         | 1005                  |
|  |  | 1130                  |        | 1110                  |         | 1110                  |         | 1130                  |         | 1180                  |
|  |  | 560                   |        | 530                   |         | 530                   |         | 560                   |         | 610                   |
|  |  | 460 / 680             |        | 435 / 650             |         | 435 / 650             |         | 460 / 680             |         | 485 / 730             |
|  |  | 140                   |        | 110                   |         | 110                   |         | 140                   |         | 125                   |
|  |  | 145                   |        | 120                   |         | 120                   |         | 145                   |         | 190                   |
|  |  | Hydraulic-Foot pedal  |        | Hydraulic-Foot pedal  |         | Hydraulic-Foot pedal  |         | Hydraulic-Foot pedal  |         | Hydraulic-Foot pedal  |
|  |  | Mechanical-Hand lever |        | Mechanical-Hand lever |         | Mechanical-Hand lever |         | Mechanical-Hand lever |         | Mechanical-Hand lever |
|  |  | 12 / 30               |        | 12 / 30               |         | 12 / 30               |         | 12 / 30               |         | 12 / 30               |
|  |  | NISSAN / K21          |        | NISSAN / K25          |         | NISSAN / K25          |         | NISSAN / K25          |         | NISSAN / K25          |
|  |  | 34.6 / 2250           |        | 39.5 / 2100           |         | 39.5 / 2100           |         | 39.5 / 2100           |         | 39.5 / 2100           |
|  |  | 153.5 / 1600          |        | 188.1 / 1600          |         | 188.1 / 1600          |         | 188.1 / 1600          |         | 188 / 1600            |
|  |  | 4                     |        | 4                     |         | 4                     |         | 4                     |         | 4                     |
|  |  | 2065                  |        | 2488                  |         | 2488                  |         | 2488                  |         | 2488                  |
|  |  | 0.60 / 50             |        | 0.60 / 50             |         | 0.60 / 50             |         | 0.60 / 50             |         | 0.60 / 50             |
|  |  | 70                    |        | 70                    |         | 70                    |         | 70                    |         | 70                    |
|  |  | Manual                |        | Power-shift           |         | Manual                |         | Power-shift           |         | Power-shift           |
|  |  | 2-2                   |        | 1-1                   |         | 2-2                   |         | 1-1                   |         | 1-1                   |
|  |  | 17.7                  |        | 17.7                  |         | 17.7                  |         | 17.7                  |         | 17.7                  |

**STANDARD SPECIFICATIONS**

| 1  | Manufacturer  |                            | TCM                   |              |                       |              |                       |              |             |      |
|----|---|----------------------------|-----------------------|--------------|-----------------------|--------------|-----------------------|--------------|-------------|------|
|    | Model   |                            | FD20C3Z               | FD20T4       | FD25C3Z               | FD25T4       | FD30C3Z               | FD30T4       |             |      |
| 3  | Load Capacity   |                            | 2000                  |              | 2500                  |              | 3000                  |              |             |      |
| 4  | Load Center   |                            | 500                   |              | 500                   |              | 500                   |              |             |      |
| 5  | Power Type  |                            | Diesel                |              | Diesel                |              | Diesel                |              |             |      |
| 6  | Operator Position   |                            | Seated                |              | Seated                |              | Seated                |              |             |      |
| 7  | Tire Type   | Front / Rear               | Pneumatic             |              | Pneumatic             |              | Pneumatic             |              |             |      |
| 8  | Wheels (x = driven)   | Front / Rear               | 2X / 2                |              | 2X / 2                |              | 2X / 2                |              |             |      |
| 9  | Maximum Fork Height   |                            | 3000                  |              | 3000                  |              | 3000                  |              |             |      |
| 10 | Free Lift   |                            | 110                   |              | 110                   |              | 165                   |              |             |      |
| 13 | Fork Size   | L x W x T                  | 1070 x 122 x 40       |              | 1070 x 122 x 40       |              | 1070 x 125 x 45       |              |             |      |
|    | Fork Spread (Outside)   | Max. / Min.                | 1020 / 245            |              | 1020 / 245            |              | 1090 / 250            |              |             |      |
| 14 | Tilt Angle  | Fwd. / Bwd.                | 6 / 12                |              | 6 / 12                |              | 6 / 12                |              |             |      |
| 15 | Length to Fork Face   |                            | 2485                  |              | 2555                  |              | 2705                  |              |             |      |
| 16 | Overall Width   |                            | 1150                  |              | 1150                  |              | 1225                  |              |             |      |
| 17 | Mast Height Fork Lowered  |                            | 2030                  |              | 2030                  |              | 2075                  |              |             |      |
| 18 | Mast Height Fork Raised   |                            | 4030                  |              | 4030                  |              | 4250                  |              |             |      |
| 19 | Overhead Guard Height(EXB,EXK)                                  |                            | 2070                  |              | 2070                  |              | 2090                  |              |             |      |
|    | Overhead Guard Height(EXC,EXE,EXN)                              |                            | 2130                  |              | 2130                  |              | 2150                  |              |             |      |
| 20 | Operator's Seat Height  |                            | 1045                  |              | 1045                  |              | 1070                  |              |             |      |
| 21 | Turning Radius (Outside)  |                            | 2170                  |              | 2240                  |              | 2400                  |              |             |      |
| 22 | Load Distance (Centerline of front axle to front face of forks) |                            | 450                   |              | 450                   |              | 480                   |              |             |      |
|    | Rear Overhang   |                            | 435                   |              | 505                   |              | 525                   |              |             |      |
| 23 | Basic Right Angle Stacking Aisle Width                          |                            | 3890                  |              | 3960                  |              | 4150                  |              |             |      |
| 24 | Speeds  | Travel, Max. (Fwd. / Rvs.) | Full Load             | km/h         | 17.5                  | 18           | 17.5                  | 18           | 18.5        | 19   |
|    |   |                            | No Load               | km/h         | 18                    | 18.5         | 18                    | 18.5         | 19          | 19.5 |
|    |   | Lifting                    | Full Load             | mm/sec       | 530                   | 560          | 530                   | 560          | 450         | 460  |
|    |   |                            | No Load               | mm/sec       | 570                   | 600          | 570                   | 600          | 460         | 490  |
| 26 | Lowering  | Full Load                  | mm/sec                | 450          |                       | 450          |                       | 450          |             |      |
|    |   | No Load                    | mm/sec                | 550          |                       | 550          |                       | 450          |             |      |
| 28 | Max. Drawbar Pull   | Full Load                  | kN                    | 11.7         | 16.7                  | 11.7         | 16.7                  | 10.8         | 14.7        |      |
|    |   | No Load                    | kN                    | 8.3          |                       | 8.3          |                       | 9.8          |             |      |
| 30 | Max. Gradeability*  | Full Load                  | %                     | 21           | 28                    | 18           | 23                    | 15           | 19          |      |
|    |   | No Load                    | %                     | 20           |                       | 18           |                       | 20           |             |      |
| 32 | Total Weight  |                            | 3320                  |              | 3680                  |              | 4370                  |              |             |      |
| 33 | Weight Distribution   | Full Load                  | Front                 | kg           | 4670                  |              | 5400                  |              | 6420        |      |
|    |   |                            | Rear                  | kg           | 650                   |              | 780                   |              | 950         |      |
| 34 | No Load   | Front                      | kg                    | 1490         |                       | 1420         |                       | 1690         |             |      |
|    |   | Rear                       | kg                    | 1830         |                       | 2260         |                       | 2680         |             |      |
| 35 | Tires   | Number                     | 2 / 2                 |              | 2 / 2                 |              | 2 / 2                 |              |             |      |
| 36 | Size  | Front                      | 7.00-12-12PR(I)       |              | 7.00-12-12PR(I)       |              | 28 x 9-15-12PR(I)     |              |             |      |
|    |   | Rear                       | 6.00-9-10PR(I)        |              | 6.00-9-10PR(I)        |              | 6.50-10-10PR(I)       |              |             |      |
| 38 | Wheelbase   |                            | 1600                  |              | 1600                  |              | 1700                  |              |             |      |
| 39 | Tread   | Front                      | 970                   |              | 970                   |              | 1000                  |              |             |      |
|    |   | Rear                       | 970                   |              | 970                   |              | 970                   |              |             |      |
|    | Backrest Height   |                            | 1000                  |              | 1000                  |              | 1220                  |              |             |      |
|    | Overhead Guard Clearance  |                            | 1005                  |              | 1005                  |              | 1005                  |              |             |      |
|    | Counterweight Height  |                            | 1110                  |              | 1110                  |              | 1130                  |              |             |      |
|    | Drawbar Pin Center Height                                       |                            | 530                   |              | 530                   |              | 560                   |              |             |      |
|    | Step Height / Floor Height                                      |                            | 435 / 650             |              | 435 / 650             |              | 460 / 680             |              |             |      |
| 40 | Underclearance  | Min. with Load             | 110                   |              | 110                   |              | 140                   |              |             |      |
| 41 |   | Center of Wheelbase        | 120                   |              | 120                   |              | 145                   |              |             |      |
| 42 | Brake   | Service (Foot)             | Hydraulic-Foot pedal  |              | Hydraulic-Foot pedal  |              | Hydraulic-Foot pedal  |              |             |      |
| 43 |   | Parking                    | Mechanical-Hand lever |              | Mechanical-Hand lever |              | Mechanical-Hand lever |              |             |      |
| 45 | Battery   |                            | V/AH                  | 12 / 55      | 12 / 64               | 12 / 55      | 12 / 64               | 12 / 55      | 12 / 64     |      |
| 49 | Make / Model  |                            | ISUZU C240            | KUBOTA V2403 | ISUZU C240            | KUBOTA V2403 | ISUZU C240            | KUBOTA V2403 |             |      |
| 50 | Rated Horsepower / r.p.m.                                       |                            | 35.4 / 2500           | 35.5 / 2600  | 35.4 / 2500           | 35.5 / 2600  | 35.4 / 2500           | 35.5 / 2600  |             |      |
| 51 | Rated Torque / r.p.m.   |                            | 140 / 1800            | 156.5 / 1600 | 140 / 1800            | 156.5 / 1600 | 140 / 1800            | 156.5 / 1600 |             |      |
| 52 | Number of Cylinder  |                            | 4                     |              | 4                     |              | 4                     |              |             |      |
|    | Piston Displacement   |                            | 2369                  |              | 2434                  |              | 2369                  |              |             |      |
|    | Alternator output   |                            | 0.54 / 45             |              | 0.72 / 60             |              | 0.54 / 45             |              |             |      |
|    | Fuel Tank Capacity Type   |                            | 70                    |              | 70                    |              | 70                    |              |             |      |
| 55 | Transmission  |                            | Type                  | Manual       | Power-shift           | Manual       | Power-shift           | Manual       | Power-shift |      |
|    | Stage   | Fwd.-Rvs.                  | 2-2                   | 1-1          | 2-2                   | 1-1          | 2-2                   | 1-1          |             |      |
| 57 | Operating Pressure  |                            | For Attachments       | 17.7         |                       | 17.7         |                       | 17.7         |             |      |

NOTE : \* Computed values.

|  |  | TCM                   |             |                       |             |                       |             |                       |
|--|--|-----------------------|-------------|-----------------------|-------------|-----------------------|-------------|-----------------------|
|  |  | FHD20C3A              | FHD20T3A    | FHD25C3A              | FHD25T3A    | FHD30C3A              | FHD30T3A    | FD35T3S               |
|  |  | 2000                  |             | 2500                  |             | 3000                  |             | 3500                  |
|  |  | 500                   |             | 500                   |             | 500                   |             | 500                   |
|  |  | Diesel                |             | Diesel                |             | Diesel                |             | Diesel                |
|  |  | Seated                |             | Seated                |             | Seated                |             | Seated                |
|  |  | Pneumatic             |             | Pneumatic             |             | Pneumatic             |             | Pneumatic             |
|  |  | 2X / 2                |             | 2X / 2                |             | 2X / 2                |             | 2X / 2                |
|  |  | 3000                  |             | 3000                  |             | 3000                  |             | 3000                  |
|  |  | 110                   |             | 110                   |             | 165                   |             | 170                   |
|  |  | 1070 x 122 x 40       |             | 1070 x 122 x 40       |             | 1070 x 125 x 45       |             | 1070 x 150 x 50       |
|  |  | 1020 / 245            |             | 1020 / 245            |             | 1090 / 250            |             | 1090 / 300            |
|  |  | 6 / 12                |             | 6 / 12                |             | 6 / 12                |             | 6 / 12                |
|  |  | 2485                  |             | 2555                  |             | 2705                  |             | 2800                  |
|  |  | 1150                  |             | 1150                  |             | 1225                  |             | 1290                  |
|  |  | 2030                  |             | 2030                  |             | 2075                  |             | 2135                  |
|  |  | 4030                  |             | 4030                  |             | 4260                  |             | 4255                  |
|  |  | 2070                  |             | 2070                  |             | 2090                  |             | 2140                  |
|  |  | 2130                  |             | 2130                  |             | 2150                  |             | 2200                  |
|  |  | 1045                  |             | 1045                  |             | 1070                  |             | 1120                  |
|  |  | 2170                  |             | 2240                  |             | 2400                  |             | 2470                  |
|  |  | 450                   |             | 450                   |             | 480                   |             | 495                   |
|  |  | 435                   |             | 505                   |             | 525                   |             | 605                   |
|  |  | 3890                  |             | 3960                  |             | 4150                  |             | 4235                  |
|  |  | 18.5                  | 18          | 18.5                  | 18          | 19                    |             | 19                    |
|  |  | 19                    | 18.5        | 19                    | 18.5        | 19.5                  |             | 19.5                  |
|  |  | 630                   |             | 630                   |             | 520                   |             | 460                   |
|  |  | 670                   |             | 670                   |             | 590                   |             | 490                   |
|  |  | 450                   |             | 450                   |             | 450                   |             | 420                   |
|  |  | 550                   |             | 550                   |             | 450                   |             | 450                   |
|  |  | 14.8                  | 23.5        | 14.8                  | 23.5        | 13.8                  | 20.6        | 18.1                  |
|  |  | 8.3                   |             | 8.3                   |             | 9.8                   |             | 10.8                  |
|  |  | 26                    | 36          | 22                    | 30          | 15                    | 24          | 18                    |
|  |  | 20                    |             | 20                    |             | 20                    |             | 17                    |
|  |  | 3350                  |             | 3700                  |             | 4390                  |             | 4940                  |
|  |  | 4690                  |             | 5400                  |             | 6410                  |             | 7290                  |
|  |  | 660                   |             | 800                   |             | 980                   |             | 1150                  |
|  |  | 1510                  |             | 1420                  |             | 1690                  |             | 1740                  |
|  |  | 1840                  |             | 2280                  |             | 2700                  |             | 3200                  |
|  |  | 2 / 2                 |             | 2 / 2                 |             | 2 / 2                 |             | 2 / 2                 |
|  |  | 7.00-12-12PR(I)       |             | 7.00-12-12PR(I)       |             | 28 x 9-15-12PR(I)     |             | 250-15-16PR(I)        |
|  |  | 6.00-9-10PR(I)        |             | 6.00-9-10PR(I)        |             | 6.50-10-10PR(I)       |             | 6.50-10-12PR(I)       |
|  |  | 1600                  |             | 1600                  |             | 1700                  |             | 1700                  |
|  |  | 970                   |             | 970                   |             | 1000                  |             | 1060                  |
|  |  | 970                   |             | 970                   |             | 970                   |             | 970                   |
|  |  | 1000                  |             | 1000                  |             | 1220                  |             | 1220                  |
|  |  | 1005                  |             | 1005                  |             | 1005                  |             | 1005                  |
|  |  | 1110                  |             | 1110                  |             | 1130                  |             | 1180                  |
|  |  | 530                   |             | 530                   |             | 560                   |             | 610                   |
|  |  | 435 / 650             |             | 435 / 650             |             | 460 / 680             |             | 485 / 730             |
|  |  | 110                   |             | 110                   |             | 140                   |             | 145                   |
|  |  | 120                   |             | 120                   |             | 145                   |             | 190                   |
|  |  | Hydraulic-Foot pedal  |             | Hydraulic-Foot pedal  |             | Hydraulic-Foot pedal  |             | Hydraulic-Foot pedal  |
|  |  | Mechanical-Hand lever |             | Mechanical-Hand lever |             | Mechanical-Hand lever |             | Mechanical-Hand lever |
|  |  | 12 / 64               |             | 12 / 64               |             | 12 / 64               |             | 12 / 64               |
|  |  | NISSAN DIESEL / QD32  |             | NISSAN DIESEL / QD32  |             | NISSAN DIESEL / QD32  |             | NISSAN DIESEL / QD32  |
|  |  | 44 / 2300             |             | 44 / 2300             |             | 44 / 2300             |             | 44 / 2300             |
|  |  | 189 / 1800            |             | 189 / 1800            |             | 189 / 1800            |             | 189 / 1800            |
|  |  | 4                     |             | 4                     |             | 4                     |             | 4                     |
|  |  | 3153                  |             | 3153                  |             | 3153                  |             | 3153                  |
|  |  | 0.72 / 60             |             | 0.72 / 60             |             | 0.72 / 60             |             | 0.72 / 60             |
|  |  | 70                    |             | 70                    |             | 70                    |             | 70                    |
|  |  | Manual                | Power-shift | Manual                | Power-shift | Manual                | Power-shift | Power-shift           |
|  |  | 2-2                   | 1-1         | 2-2                   | 1-1         | 2-2                   | 1-1         | 1-1                   |
|  |  | 17.7                  |             | 17.7                  |             | 17.7                  |             | 17.7                  |

## Wide View Mast

### Wide View Mast VM

| Mast Model | Rated Capacity/ 500mm load center (kg) |               |                  |               | Max. Fork Height | Overall Mast Height |                         |                            | Tilting Angle F/B | (1) Service weight(kg) |      |      |        |      |     |
|------------|--|---------------|------------------|---------------|------------------|---------------------|-------------------------|----------------------------|-------------------|------------------------|------|------|--------|------|-----|
|            | FG20T3 / FD20T4                        |               | FG25T3 / FD25T4  |               |                  | Lowered             | (1)Raised with Backrest | (2)Free lift with Backrest |                   | FG20T3                 |      |      | FG25T3 |      |     |
|            | FG20C3 / FD20C3Z                       |               | FG25C3 / FD25C3Z |               |                  |                     |                         |                            |                   | S                      | DD   | SDD  | S      | DD   | SDD |
|            | PNEUMATIC                              | UNIQUE(SE)    | PNEUMATIC        | UNIQUE(SE)    |                  | mm                  | mm                      | mm                         |                   | deg                    | mm   | mm   | mm     | mm   | mm  |
| VM250      | 2000                                   | 2000          | 2500             | 2500          | 2500             | 1780                | 3530                    | 6-10                       | 3170              | 3275                   | 3290 | 3530 | 3635   | 3650 |     |
| VM270      | 2000                                   | 2000          | 2500             | 2500          | 2700             | 1880                | 3730                    | 6-10                       | 3185              | 3290                   | 3305 | 3545 | 3650   | 3665 |     |
| VM300      | 2000                                   | 2000          | 2500             | 2500          | 3000             | 2030                | 4030                    | 6-12                       | 3210              | 3315                   | 3330 | 3570 | 3675   | 3690 |     |
| VM330      | 2000                                   | 2000          | 2500             | 2500          | 3300             | 2180                | 4330                    | 6-12                       | 3235              | 3340                   | 3355 | 3595 | 3700   | 3715 |     |
| VM350      | 2000                                   | 2000          | 2500             | 2500          | 3500             | 2280                | 4530                    | 6-12                       | 3250              | 3355                   | 3370 | 3610 | 3715   | 3730 |     |
| VM375      | 2000                                   | 2000          | 2500             | 2500          | 3750             | 2405                | 4780                    | 6-6<br>*6-12               | 3270              | 3375                   | 3390 | 3630 | 3735   | 3750 |     |
| VM400      | 2000                                   | 2000          | 2500             | 2500          | 4000             | 2580                | 5030                    | 6-6<br>*6-12               | 3325              | 3430                   | 3445 | 3685 | 3790   | 3805 |     |
| VM425      | 1950<br>*2000                          | 1950<br>*2000 | 2450<br>*2500    | 2450<br>*2500 | 4250             | 2705                | 5280                    | 6-6<br>*6-12               | 3345              | 3450                   | 3465 | 3705 | 3810   | 3825 |     |
| VM450      | 1900<br>*1950                          | 1900<br>*1950 | 2150<br>*2450    | 2350<br>*2450 | 4500             | 2830                | 5530                    | 6-6<br>*6-12               | 3365              | 3470                   | 3485 | 3725 | 3830   | 3845 |     |
| VM475      | 1800<br>*1850                          | 1800<br>*1850 | 1850<br>*2350    | 2200<br>*2350 | 4750             | 2955                | 5780                    | 6-6<br>*6-6                | 3385              | 3490                   | 3505 | 3745 | 3850   | 3865 |     |
| VM500      | 1650<br>*1700                          | 1700          | 1700<br>*2250    | 2000<br>*2250 | 5000             | 3080                | 6030                    | 6-6<br>*6-6                | 3405              | 3510                   | 3525 | 3765 | 3870   | 3885 |     |
| VM550      | *1500                                  | *1500         | *1700            | *1700         | 5500             | 3380                | 6530                    | *3-6                       | 3585              | 3600                   |      | 3945 | 3960   |      |     |
| VM600      | *1300                                  | *1300         | *1400            | *1400         | 6000             | 3630                | 7030                    | *3-6                       | 3625              | 3640                   |      | 3985 | 4000   |      |     |

NOTE :(1) Weight for diesel model: +110kg(C240-V2403)

### Wide View Full Free 2-Stage Mast VFM

| Mast Model | Rated Capacity/ 500mm load center (kg) |               |                  |               | Max. Fork Height | Overall Mast Height |                         |                            | Tilting Angle F/B | (3) Service weight(kg) |      |      |        |      |      |
|------------|--|---------------|------------------|---------------|------------------|---------------------|-------------------------|----------------------------|-------------------|------------------------|------|------|--------|------|------|
|            | FG20T3 / FD20T4                        |               | FG25T3 / FD25T4  |               |                  | Lowered             | (1)Raised with Backrest | (2)Free lift with Backrest |                   | FG20T3                 |      |      | FG25T3 |      |      |
|            | FG20C3 / FD20C3Z                       |               | FG25C3 / FD25C3Z |               |                  |                     |                         |                            |                   | S                      | DD   | SDD  | S      | DD   | SDD  |
|            | PNEUMATIC                              | UNIQUE(SE)    | PNEUMATIC        | UNIQUE(SE)    |                  | mm                  | mm                      | mm                         |                   | deg                    | mm   | mm   | mm     | mm   | mm   |
| VFM250     | 2000                                   | 2000          | 2500             | 2500          | 2500             | 1780                | 3530                    | 780                        | 6-10              | 3225                   | 3330 | 3345 | 3585   | 3690 | 3705 |
| VFM270     | 2000                                   | 2000          | 2500             | 2500          | 2700             | 1880                | 3730                    | 880                        | 6-10              | 3245                   | 3350 | 3365 | 3605   | 3710 | 3725 |
| VFM300     | 2000                                   | 2000          | 2500             | 2500          | 3000             | 2030                | 4030                    | 1030                       | 6-12              | 3270                   | 3375 | 3390 | 3630   | 3735 | 3750 |
| VFM330     | 2000                                   | 2000          | 2500             | 2500          | 3300             | 2180                | 4330                    | 1180                       | 6-12              | 3295                   | 3400 | 3415 | 3655   | 3760 | 3775 |
| VFM350     | 2000                                   | 2000          | 2500             | 2500          | 3500             | 2280                | 4530                    | 1280                       | 6-12              | 3310                   | 3415 | 3430 | 3670   | 3775 | 3790 |
| VFM375     | 2000                                   | 2000          | 2500             | 2500          | 3750             | 2405                | 4780                    | 1405                       | 6-6<br>*6-12      | 3330                   | 3435 | 3450 | 3690   | 3795 | 3810 |
| VFM400     | 2000                                   | 2000          | 2500             | 2500          | 4000             | 2580                | 5030                    | 1580                       | 6-6<br>*6-12      | 3390                   | 3495 | 3510 | 3750   | 3855 | 3870 |
| VFM425     | 1950<br>*2000                          | 1950<br>*2000 | 2450<br>*2500    | 2450<br>*2500 | 4250             | 2705                | 5280                    | 1705                       | 6-6<br>*6-12      | 3410                   | 3515 | 3530 | 3770   | 3875 | 3890 |
| VFM450     | 1900<br>*1950                          | 1900<br>*1950 | 2150<br>*2450    | 2350<br>*2450 | 4500             | 2830                | 5530                    | 1830                       | 6-6<br>*6-12      | 3435                   | 3540 | 3555 | 3795   | 3900 | 3915 |
| VFM475     | 1800<br>*1850                          | 1800<br>*1850 | 1850<br>*2350    | 2200<br>*2350 | 4750             | 2955                | 5780                    | 1955                       | 6-6<br>*6-6       | 3455                   | 3560 | 3575 | 3815   | 3920 | 3935 |
| VFM500     | 1650<br>*1700                          | 1700          | 1700<br>*2250    | 2000<br>*2250 | 5000             | 3080                | 6030                    | 2080                       | 6-6<br>*6-6       | 3475                   | 3580 | 3595 | 3835   | 3940 | 3955 |
| VFM550     | *1500                                  | *1500         | *1700            | *1700         | 5500             | 3380                | 6530                    | 2380                       | *3-6              |                        | 3660 | 3675 |        | 4020 | 4035 |
| VFM600     | *1300                                  | *1300         | *1400            | *1400         | 6000             | 3630                | 7030                    | 2630                       | *3-6              |                        | 3700 | 3715 |        | 4060 | 4075 |

NOTE :(1) For height without backrest: -385mm  
(2) For free lift without backrest: +385mm  
(3) Weight for without backrest: -20kg  
Weight for diesel model: +110kg(C240-V2403)

### Wide View Full Free 3-Stage Mast VFHM

| Mast Model | Rated Capacity/ 500mm load center (kg) |               |                  |               | Max. Fork Height | Overall Mast Height |                         |                            | Tilting Angle F/B | (3) Service weight(kg) |      |      |        |      |      |
|------------|--|---------------|------------------|---------------|------------------|---------------------|-------------------------|----------------------------|-------------------|------------------------|------|------|--------|------|------|
|            | FG20T3 / FD20T4                        |               | FG25T3 / FD25T4  |               |                  | Lowered             | (1)Raised with Backrest | (2)Free lift with Backrest |                   | FG20T3                 |      |      | FG25T3 |      |      |
|            | FG20C3 / FD20C3Z                       |               | FG25C3 / FD25C3Z |               |                  |                     |                         |                            |                   | S                      | DD   | SDD  | S      | DD   | SDD  |
|            | PNEUMATIC                              | UNIQUE(SE)    | PNEUMATIC        | UNIQUE(SE)    |                  | mm                  | mm                      | mm                         |                   | deg                    | mm   | mm   | mm     | mm   | mm   |
| VFHM360    | 2000                                   | 2000          | 2500             | 2500          | 3600             | 1780                | 4630                    | 780                        | 6-6<br>*6-10      | 3365                   | 3470 | 3485 | 3725   | 3830 | 3845 |
| VFHM400    | 2000                                   | 2000          | 2500             | 2500          | 4000             | 1905                | 5030                    | 905                        | 6-6<br>*6-10      | 3395                   | 3500 | 3515 | 3755   | 3860 | 3875 |
| VFHM435    | 1900<br>*2000                          | 1900<br>*2000 | 2200<br>*2400    | 2300<br>*2400 | 4350             | 2030                | 5380                    | 1030                       | 6-6<br>*6-10      | 3425                   | 3530 | 3545 | 3785   | 3890 | 3905 |
| VFHM480    | 1700<br>*1900                          | 1800<br>*1900 | 1900<br>*2300    | 2200<br>*2300 | 4800             | 2180                | 5830                    | 1180                       | 6-6<br>*6-10      | 3455                   | 3560 | 3575 | 3815   | 3920 | 3935 |
| VFHM500    | 1500<br>*1800                          | 1750<br>*1800 | 1600<br>*2250    | 2000<br>*2250 | 5000             | 2280                | 6030                    | 1280                       | 6-6<br>*6-10      | 3480                   | 3585 | 3600 | 3840   | 3945 | 3960 |
| VFHM540    | 1200<br>*1750                          | 1650<br>*1750 | 1300<br>*2150    | 1700<br>*2150 | 5400             | 2405                | 6430                    | 1405                       | 3-6<br>*3-6       | 3510                   | 3615 | 3630 | 3870   | 3975 | 3990 |
| VFHM600    | 900<br>*1650                           | 1100<br>*1650 | 950<br>*1800     | 1100<br>*1800 | 6000             | 2630                | 7030                    | 1630                       | 3-6<br>*3-6       | 3605                   | 3710 | 3725 | 3965   | 4070 | 4085 |
| VFHM650    | *1500                                  | *1500         | *1550            | *1550         | 6500             | 2845                | 7530                    | 1845                       | *3-3              |                        | 3765 | 3780 |        | 4125 | 4140 |
| VFHM700    | *1250                                  | *1250         | *1250            | *1250         | 7000             | 3065                | 8030                    | 2065                       | *3-3              |                        | 3820 | 3835 |        | 4180 | 4195 |

NOTE :(1) For height without backrest: -455mm  
(2) For free lift without backrest: +455mm  
(3) Weight for without backrest: -20kg  
Weight for diesel model: +110kg(C240-V2403)

### NOTE :

Rated capacity with (\*): Shows capacity with DD: front dual tires.  
Service weight of VM/VFM550-600 and of VFHM650-700 represents the weight of vehicles equipped with "SDD:special dual tires".  
Lifting speed with VFM/VFHM mast: with VFM FG 480mm/s with load. 520mm/s without load.  
FD(V2403) 480mm/s with load. 530mm/s without load.  
(C240) 440mm/s with load. 500mm/s without load.  
with VFHM FG 500mm/s with load. 540mm/s without load.  
FD(V2403) 500mm/s with load. 550mm/s without load.  
(C240) 460mm/s with load. 520mm/s without load.  
Lowering speed with VFM/VFHM mast: 400mm/s with load. 350mm/s without load.  
Overall vehicle length with VFHM mast: +15mm longer than of standard model with VM/VFM mast.

## Wide View Mast

### Wide View Full Free 2-Stage Mast VFW (4CYLINDER)

| Mast Model | Rated Capacity/ 500mm load center (kg) |               |                  |               | Max. Fork Height | Overall Mast Height |                         |        | (2)Free lift with Backrest | Tilting Angle F/B | (3) Service weight(kg) |      |      |      |      |    |
|------------|--|---------------|------------------|---------------|------------------|---------------------|-------------------------|--------|----------------------------|-------------------|------------------------|------|------|------|------|----|
|            | FG20T3 / FD20T4                        |               | FG25T3 / FD25T4  |               |                  | Lowered             | (1)Raised with Backrest | FG20T3 |                            |                   | FG25T3                 |      |      |      |      |    |
|            | FG20C3 / FD20C3Z                       |               | FG25C3 / FD25C3Z |               |                  |                     |                         | S      |                            |                   | DD                     | SDD  | S    | DD   | SDD  |    |
|            | PNEUMATIC                              | UNIQUE(SE)    | PNEUMATIC        | UNIQUE(SE)    |                  | mm                  | mm                      | mm     |                            |                   | deg                    | mm   | mm   | mm   | mm   | mm |
| VFW300     | 1900                                   | 1900          | 2400             | 2400          | 3000             | 2045                | 4030                    | 1045   | 6-12                       | 3280              | 3385                   | 3505 | 3640 | 3745 | 3865 |    |
| VFW330     | 1900                                   | 1900          | 2400             | 2400          | 3300             | 2195                | 4330                    | 1195   | 6-12                       | 3310              | 3415                   | 3535 | 3670 | 3775 | 3895 |    |
| VFW350     | 1900                                   | 1900          | 2400             | 2400          | 3500             | 2295                | 4530                    | 1295   | 6-12                       | 3325              | 3430                   | 3550 | 3685 | 3790 | 3910 |    |
| VFW375     | 1800<br>*1900                          | 1800<br>*1900 | 2350             | 2350          | 3750             | 2420                | 4780                    | 1420   | 6-6<br>6-12                | 3350              | 3455                   | 3575 | 3710 | 3815 | 3935 |    |
| VFW400     | 1800<br>*1900                          | 1800<br>*1900 | 2300<br>*2350    | 2300<br>*2350 | 4000             | 2595                | 5030                    | 1595   | 6-6<br>6-12                | 3410              | 3515                   | 3635 | 3770 | 3875 | 3995 |    |

NOTE :(1) For height without backrest: -455mm  
(2) For free lift without backrest: +455mm  
(3) Weight for without backrest: -20kg  
Weight for diesel model: +110kg(C240-V2403)

### Wide View Full Free 3-Stage Mast VFHW (4CYLINDER)

| Mast Model | Rated Capacity/ 500mm load center (kg) |               |                  |               | Max. Fork Height | Overall Mast Height |                         |        | (2)Free lift with Backrest | Tilting Angle F/B | (3) Service weight(kg) |      |      |      |      |    |
|------------|--|---------------|------------------|---------------|------------------|---------------------|-------------------------|--------|----------------------------|-------------------|------------------------|------|------|------|------|----|
|            | FG20T3 / FD20T4                        |               | FG25T3 / FD25T4  |               |                  | Lowered             | (1)Raised with Backrest | FG20T3 |                            |                   | FG25T3                 |      |      |      |      |    |
|            | FG20C3 / FD20C3Z                       |               | FG25C3 / FD25C3Z |               |                  |                     |                         | S      |                            |                   | DD                     | SDD  | S    | DD   | SDD  |    |
|            | PNEUMATIC                              | UNIQUE(SE)    | PNEUMATIC        | UNIQUE(SE)    |                  | mm                  | mm                      | mm     |                            |                   | deg                    | mm   | mm   | mm   | mm   | mm |
| VHW435     | 1800<br>*1900                          | 1850<br>*1900 | 2200<br>*2400    | 2300<br>*2400 | 4350             | 2045                | 5380                    | 1045   | 6-6<br>6-10                | 3425              | 3530                   | 3650 | 3785 | 3890 | 4010 |    |
| VHW480     | 1700<br>*1900                          | 1800<br>*1900 | 1900<br>*2300    | 2200<br>*2300 | 4800             | 2195                | 5830                    | 1195   | 6-6<br>6-10                | 3470              | 3575                   | 3695 | 3830 | 3935 | 4055 |    |
| VHW500     | 1500<br>*1800                          | 1750<br>*1800 | 1600<br>*2250    | 2000<br>*2250 | 5000             | 2295                | 6030                    | 1295   | 6-6<br>6-10                | 3495              | 3600                   | 3720 | 3855 | 3960 | 4080 |    |
| VHW540     | 1200<br>*1750                          | 1650<br>*1750 | 1300<br>*2150    | 1700<br>*2150 | 5400             | 2420                | 6430                    | 1420   | 3-6                        | 3520              | 3625                   | 3745 | 3880 | 3985 | 4105 |    |
| VHW550     | 1150<br>*1750                          | 1600<br>*1750 | 1250<br>*2100    | 1600<br>*2100 | 5500             | 2460                | 6530                    | 1460   | 3-6                        | 3530              | 3635                   | 3755 | 3890 | 3995 | 4115 |    |

NOTE :(1) For height without backrest: -455mm  
(2) For free lift without backrest: +455mm  
(3) Weight for without backrest: -20kg  
Weight for diesel model: +110kg(C240-V2403)

### NOTE :

Rated capacity with (\*): Shows capacity with DD: front dual tires.  
Lifting speed with VFM/VFHM mast: with VFM FG 450mm/s with load. 490mm/s without load.  
FD(V2403) 460mm/s with load. 510mm/s without load.  
(C240) 440mm/s with load. 480mm/s without load.  
with VFHM FG 460mm/s with load. 510mm/s without load.  
FD(V2403) 480mm/s with load. 520mm/s without load.  
(C240) 450mm/s with load. 500mm/s without load.  
Lowering speed with VFM/VFHM mast: 420mm/s with load. 380mm/s without load.  
Overall vehicle length with VFW/VFHW(4CYLINDER) mast: +35mm longer than of standard model with VM mast.

**Wide View Mast**

**Wide View Mast VM**

| Mast Model | Rated Capacity/ 500mm load center (kg) |            | Max. Fork Height | Overall Mast Height |                         | Tilting Angle F/B deg | (1) Service weight(kg) |      |      |
|------------|--|------------|------------------|---------------------|-------------------------|-----------------------|------------------------|------|------|
|            | FG30T3 / FD30T4<br>FG30C3 / FD30C3Z    |            |                  | Lowered             | (1)Raised with Backrest |                       | FG30T3<br>FG30C3       |      |      |
|            | PNEUMATIC                              | UNIQUE(SE) | mm               |                     |                         | mm                    | mm                     | S    | DD   |
| VM250      | 3000                                   | 3000       | 2500             | 1820                | 3760                    | 6-10                  | 4210                   | 4245 | 4360 |
| VM270      | 3000                                   | 3000       | 2700             | 1920                | 3960                    | 6-10                  | 4225                   | 4260 | 4375 |
| VM300      | 3000                                   | 3000       | 3000             | 2075                | 4260                    | 6-12                  | 4250                   | 4285 | 4400 |
| VM330      | 3000                                   | 3000       | 3300             | 2225                | 4560                    | 6-12                  | 4275                   | 4310 | 4425 |
| VM350      | 3000                                   | 3000       | 3500             | 2325                | 4760                    | 6-12                  | 4290                   | 4325 | 4440 |
| VM375      | 3000                                   | 3000       | 3750             | 2450                | 5010                    | 6-6<br>*6-12          | 4310                   | 4345 | 4460 |
| VM400      | 3000                                   | 3000       | 4000             | 2625                | 5260                    | 6-6<br>*6-12          | 4370                   | 4405 | 4520 |
| VM425      | 2900<br>*3000                          | 3000       | 4250             | 2750                | 5510                    | 6-6<br>*6-12          | 4390                   | 4425 | 4540 |
| VM450      | 2800<br>*3000                          | 3000       | 4500             | 2875                | 5760                    | 6-6<br>*6-12          | 4410                   | 4445 | 4560 |
| VM475      | 2750<br>*2900                          | 2900       | 4750             | 3000                | 6010                    | 6-6<br>*6-6           | 4430                   | 4465 | 4580 |
| VM500      | 2700<br>*2850                          | 2850       | 5000             | 3125                | 6260                    | 6-6<br>*6-6           | 4455                   | 4490 | 4605 |
| VM550      | *2400                                  | *2400      | 5500             | 3425                | 6760                    | *3-6                  | 4565                   | 4680 | 4680 |
| VM600      | *2000                                  | *2000      | 6000             | 3675                | 7260                    | *3-6                  | 4605                   | 4720 | 4720 |

NOTE :(1) Weight for diesel model: +120kg(C240-V2403)

**Wide View Full Free 2-Stage Mast VFM**

| Mast Model | Rated Capacity/ 500mm load center (kg) |            | Max. Fork Height | Overall Mast Height |                         | (2)Free lift with Backrest | Tilting Angle F/B deg | (3) Service weight(kg) |      |      |
|------------|--|------------|------------------|---------------------|-------------------------|----------------------------|-----------------------|------------------------|------|------|
|            | FG30T3 / FD30T4<br>FG30C3 / FD30C3Z    |            |                  | Lowered             | (1)Raised with Backrest |                            |                       | FG30T3<br>FG30C3       |      |      |
|            | PNEUMATIC                              | UNIQUE(SE) | mm               |                     |                         | mm                         | mm                    | S                      | DD   | SDD  |
| VFM250     | 3000                                   | 3000       | 2500             | 1820                | 3760                    | 600                        | 6-10                  | 4250                   | 4245 | 4360 |
| VFM270     | 3000                                   | 3000       | 2700             | 1920                | 3960                    | 700                        | 6-10                  | 4265                   | 4260 | 4375 |
| VFM300     | 3000                                   | 3000       | 3000             | 2075                | 4260                    | 850                        | 6-12                  | 4295                   | 4285 | 4400 |
| VFM330     | 3000                                   | 3000       | 3300             | 2225                | 4560                    | 1000                       | 6-12                  | 4320                   | 4310 | 4425 |
| VFM350     | 3000                                   | 3000       | 3500             | 2325                | 4760                    | 1100                       | 6-12                  | 4335                   | 4325 | 4440 |
| VFM375     | 3000                                   | 3000       | 3750             | 2450                | 5010                    | 1225                       | 6-6<br>*6-12          | 4360                   | 4345 | 4460 |
| VFM400     | 3000                                   | 3000       | 4000             | 2625                | 5260                    | 1400                       | 6-6<br>*6-12          | 4425                   | 4405 | 4520 |
| VFM425     | 2900<br>*3000                          | 3000       | 4250             | 2750                | 5510                    | 1525                       | 6-6<br>*6-12          | 4445                   | 4425 | 4540 |
| VFM450     | 2800<br>*3000                          | 3000       | 4500             | 2875                | 5760                    | 1650                       | 6-6<br>*6-12          | 4465                   | 4445 | 4560 |
| VFM475     | 2750<br>*2900                          | 2900       | 4750             | 3000                | 6010                    | 1775                       | 6-6<br>*6-6           | 4490                   | 4465 | 4580 |
| VFM500     | 2700<br>*2850                          | 2850       | 5000             | 3125                | 6260                    | 1900                       | 6-6<br>*6-6           | 4510                   | 4490 | 4605 |
| VFM550     | *2400                                  | *2400      | 5500             | 3425                | 6760                    | 2200                       | *3-6                  | 4565                   | 4680 | 4680 |
| VFM600     | *2000                                  | *2000      | 6000             | 3675                | 7260                    | 2450                       | *3-6                  | 4605                   | 4720 | 4720 |

NOTE :(1) For height without backrest: -520mm  
(2) For free lift without backrest: +520mm  
(3) Weight for without backrest: -30kg  
Weight for diesel model: +120kg(C240-V2403)

**Wide View Full Free 3-Stage Mast VFHM**

| Mast Model | Rated Capacity/ 500mm load center (kg) |               | Max. Fork Height | Overall Mast Height |                         | (2)Free lift with Backrest | Tilting Angle F/B deg | (3) Service weight(kg) |      |      |
|------------|--|---------------|------------------|---------------------|-------------------------|----------------------------|-----------------------|------------------------|------|------|
|            | FG30T3 / FD30T4<br>FG30C3 / FD30C3Z    |               |                  | Lowered             | (1)Raised with Backrest |                            |                       | FG30T3<br>FG30C3       |      |      |
|            | PNEUMATIC                              | UNIQUE(SE)    | mm               |                     |                         | mm                         | mm                    | S                      | DD   | SDD  |
| VFHM360    | 3000                                   | 3000          | 3600             | 1825                | 4860                    | 600                        | 6-6<br>*6-10          | 4395                   | 4430 | 4545 |
| VFHM400    | 3000                                   | 3000          | 4000             | 1950                | 5260                    | 725                        | 6-6<br>*6-10          | 4425                   | 4460 | 4575 |
| VFHM435    | 2900<br>*3000                          | 2900<br>*3000 | 4350             | 2075                | 5610                    | 850                        | 6-6<br>*6-10          | 4460                   | 4495 | 4610 |
| VFHM480    | 2800<br>*2900                          | 2800<br>*2900 | 4800             | 2225                | 6060                    | 1000                       | 6-6<br>*6-10          | 4495                   | 4530 | 4645 |
| VFHM500    | 2600<br>*2750                          | 2750          | 5000             | 2325                | 6260                    | 1100                       | 6-6<br>*6-10          | 4520                   | 4555 | 4670 |
| VFHM540    | 1900<br>*2650                          | 2500<br>*2650 | 5400             | 2450                | 6660                    | 1225                       | 3-6<br>*3-6           | 4555                   | 4590 | 4705 |
| VFHM600    | 1400<br>*2100                          | 1850<br>*2100 | 6000             | 2675                | 7260                    | 1450                       | 3-6<br>*3-6           | 4650                   | 4685 | 4800 |
| VFHM650    | *1700                                  | *1700         | 6500             | 2890                | 7760                    | 1665                       | *3-3                  | 4750                   | 4865 | 4865 |
| VFHM700    | *1350                                  | *1350         | 7000             | 3110                | 8260                    | 1885                       | *3-3                  | 4805                   | 4920 | 4920 |

NOTE :(1) For height without backrest: -580mm  
(2) For free lift without backrest: +580mm  
(3) Weight for without backrest: -30kg  
Weight for diesel model: +120kg(C240-V2403)

**NOTE :**

Rated capacity with (\*): Shows capacity with DD: front dual tires.  
Service weight of VM/VFM550-600 and of VFHM650-700 represents the weight of vehicles equipped with "SDD:special dual tires".  
Lifting speed with VFM/VFHM mast: with VFM FG 420mm/s with load. 440mm/s without load.  
FD(V2403) 410mm/s with load. 440mm/s without load.  
(C240) 400mm/s with load. 410mm/s without load.  
with VFHM FG 430mm/s with load. 450mm/s without load.  
FD(V2403) 420mm/s with load. 460mm/s without load.  
(C240) 420mm/s with load. 430mm/s without load.  
Lowering speed with VFM/VFHM mast: 400mm/s with load. 350mm/s without load.  
Overall vehicle length with VFHM mast: +15mm longer than of standard model with VM/VFM mast.

**Wide View Mast**

**Wide View Full Free 2-Stage Mast VFW (4CYLINDER)**

| Mast Model | Rated Capacity/ 500mm load center (kg) |            | Max. Fork Height | Overall Mast Height |                         | (2)Free lift with Backrest | Tilting Angle F/B deg | (3) Service weight(kg) |      |      |
|------------|--|------------|------------------|---------------------|-------------------------|----------------------------|-----------------------|------------------------|------|------|
|            | FG30T3 / FD30T4<br>FG30C3 / FD30C3Z    |            |                  | Lowered             | (1)Raised with Backrest |                            |                       | FG30T3<br>FG30C3       |      |      |
|            | PNEUMATIC                              | UNIQUE(SE) | mm               |                     |                         | mm                         | mm                    | S                      | DD   | SDD  |
| VFW300     | 2900                                   | 2900       | 3000             | 2125                | 4260                    | 900                        | 6-12                  | 4310                   | 4345 | 4495 |
| VFW330     | 2900                                   | 2900       | 3300             | 2275                | 4560                    | 1050                       | 6-12                  | 4335                   | 4370 | 4520 |
| VFW350     | 2900                                   | 2900       | 3500             | 2375                | 4760                    | 1150                       | 6-12                  | 4355                   | 4390 | 4540 |
| VFW375     | 2900                                   | 2900       | 3750             | 2500                | 5010                    | 1275                       | 6-6<br>*6-12          | 4375                   | 4410 | 4560 |
| VFW400     | 2900                                   | 2900       | 4000             | 2675                | 5260                    | 1450                       | 6-6<br>*6-12          | 4440                   | 4475 | 4625 |

NOTE :(1) For height without backrest: -580mm  
(2) For free lift without backrest: +580mm  
(3) Weight for without backrest: -30kg  
Weight for diesel model: +120kg(C240-V2403)

**Wide View Full Free 3-Stage Mast VFHW (4CYLINDER)**

| Mast Model | Rated Capacity/ 500mm load center (kg) |               | Max. Fork Height | Overall Mast Height |                         | (2)Free lift with Backrest | Tilting Angle F/B deg | (3) Service weight(kg) |      |      |
|------------|--|---------------|------------------|---------------------|-------------------------|----------------------------|-----------------------|------------------------|------|------|
|            | FG30T3 / FD30T4<br>FG30C3 / FD30C3Z    |               |                  | Lowered             | (1)Raised with Backrest |                            |                       | FG30T3<br>FG30C3       |      |      |
|            | PNEUMATIC                              | UNIQUE(SE)    | mm               |                     |                         | mm                         | mm                    | S                      | DD   | SDD  |
| VHW435     | 2800<br>*2900                          | 2900          | 4350             | 2125                | 5610                    | 900                        | 6-6<br>*6-10          | 4470                   | 4505 | 4655 |
| VHW480     | 2700<br>*2800                          | 2800          | 4800             | 2275                | 6060                    | 1050                       | 6-6<br>*6-10          | 4510                   | 4545 | 4695 |
| VHW500     | 2600<br>*2750                          | 2750          | 5000             | 2375                | 6260                    | 1150                       | 6-6<br>*6-10          | 4535                   | 4570 | 4720 |
| VHW540     | 1900<br>*2650                          | 2500<br>*2650 | 5400             | 2500                | 6660                    | 1275                       | 3-6                   | 4565                   | 4600 | 4750 |
| VHW550     | 1900<br>*2600                          | 2350<br>*2600 | 5500             | 2540                | 6760                    | 1315                       | 3-6                   | 4575                   | 4610 | 4760 |

NOTE :(1) For height without backrest: -580mm  
(2) For free lift without backrest: +580mm  
(3) Weight for without backrest: -30kg  
Weight for diesel model: +120kg(C240-V2403)

**NOTE :**

Rated capacity with (\*): Shows capacity with DD: front dual tires.  
Lifting speed with VFM/VFHM mast: with VFM FG 360mm/s with load. 420mm/s without load.  
FD(V2403) 380mm/s with load. 410mm/s without load.  
(C240) 370mm/s with load. 390mm/s without load.  
with VFHM FG 380mm/s with load. 430mm/s without load.  
FD(V2403) 390mm/s with load. 430mm/s without load.  
(C240) 310mm/s with load. 410mm/s without load.  
Lowering speed with VFM/VFHM mast: 400mm/s with load. 350mm/s without load.  
Overall vehicle length with VFW/VFHW(4CYLINDER) mast: +35mm/+45mm longer than of standard model with VM mast.

Wide View Mast

Wide View Mast VM

| Mast Model | Rated Capacity/ 500mm load center(kg) |               |                    |               |                    |           | Max. Fork Height | Overall Mast Height |                          |               | Tilting Angle F/B | (2) Service weight(kg) |      |      |                 |      |      |                 |      |     |
|------------|---------------------------------------|---------------|--------------------|---------------|--------------------|-----------|------------------|---------------------|--------------------------|---------------|-------------------|------------------------|------|------|-----------------|------|------|-----------------|------|-----|
|            | FHG20T3 / FHD20T3A                    |               | FHG25T3 / FHD25T3A |               | FHG30T3 / FHD30T3A |           |                  | (1) Lowered         | (2) Raised with Backrest | with Backrest |                   | FHG20T3 FHD20C3        |      |      | FHG25T3 FHD25C3 |      |      | FHG30T3 FHD30C3 |      |     |
|            | PNEUMATIC                             | UNIQUE/SE     | PNEUMATIC          | UNIQUE/SE     | PNEUMATIC          | UNIQUE/SE |                  |                     |                          |               |                   | S                      | DD   | SDD  | S               | DD   | SDD  | S               | DD   | SDD |
| VM250      | 2000                                  | 2000          | 2500               | 2500          | 3000               | 3000      | 2500             | 1780                | 3530                     | 6-10          | 3190              | 3295                   | 3310 | 3540 | 3645            | 3660 | 4220 | 4255            | 4370 |     |
| VM270      | 2000                                  | 2000          | 2500               | 2500          | 3000               | 3000      | 2700             | 1880                | 3730                     | 6-10          | 3205              | 3310                   | 3325 | 3555 | 3660            | 3675 | 4235 | 4270            | 4385 |     |
| VM300      | 2000                                  | 2000          | 2500               | 2500          | 3000               | 3000      | 3000             | 2030                | 4030                     | 6-12          | 3230              | 3335                   | 3350 | 3580 | 3685            | 3700 | 4260 | 4295            | 4410 |     |
| VM330      | 2000                                  | 2000          | 2500               | 2500          | 3000               | 3000      | 3300             | 2180                | 4330                     | 6-12          | 3255              | 3360                   | 3375 | 3605 | 3710            | 3725 | 4285 | 4320            | 4435 |     |
| VM350      | 2000                                  | 2000          | 2500               | 2500          | 3000               | 3000      | 3500             | 2280                | 4530                     | 6-12          | 3270              | 3375                   | 3390 | 3620 | 3725            | 3740 | 4300 | 4335            | 4450 |     |
| VM375      | 2000                                  | 2000          | 2500               | 2500          | 3000               | 3000      | 3750             | 2405                | 4780                     | 6-6<br>*6-12  | 3290              | 3395                   | 3410 | 3640 | 3745            | 3760 | 4320 | 4355            | 4470 |     |
| VM400      | 2000                                  | 2000          | 2500               | 2500          | 3000               | 3000      | 4000             | 2580                | 5030                     | 6-6<br>*6-12  | 3345              | 3450                   | 3465 | 3695 | 3800            | 3815 | 4380 | 4415            | 4530 |     |
| VM425      | 1950<br>*2000                         | 1950<br>*2000 | 2450<br>*2500      | 2450<br>*2500 | 2900<br>*3000      | 3000      | 4250             | 2705                | 5280                     | 6-6<br>*6-12  | 3365              | 3470                   | 3485 | 3715 | 3820            | 3835 | 4400 | 4435            | 4550 |     |
| VM450      | 1900<br>*1950                         | 1900<br>*1950 | 2150<br>*2450      | 2150<br>*2450 | 2350<br>*3000      | 3000      | 4500             | 2830                | 5530                     | 6-6<br>*6-12  | 3385              | 3490                   | 3505 | 3735 | 3840            | 3855 | 4420 | 4455            | 4570 |     |
| VM475      | 1800<br>*1850                         | 1800<br>*1850 | 1850<br>*2350      | 2200<br>*2350 | 2750<br>*2900      | 2900      | 4750             | 2955                | 5780                     | 6-6<br>*6-6   | 3405              | 3510                   | 3525 | 3755 | 3860            | 3875 | 4440 | 4475            | 4590 |     |
| VM500      | 1650<br>*1700                         | 1700          | 1700<br>*2250      | 2000<br>*2250 | 2700<br>*2850      | 2850      | 5000             | 3080                | 6030                     | 6-6<br>*6-6   | 3425              | 3530                   | 3545 | 3775 | 3880            | 3895 | 4465 | 4500            | 4615 |     |
| VM550      | *1500                                 | *1500         | *1700              | *1700         | *2400              | *2400     | 5500             | 3380                | 6530                     | *3-6          |                   |                        |      | 3605 | 3620            |      | 4575 | 4690            |      |     |
| VM600      | *1300                                 | *1300         | *1400              | *1400         | *2000              | *2000     | 6000             | 3630                | 7030                     | *3-6          |                   |                        |      | 3645 | 3660            |      | 4615 | 4730            |      |     |

NOTE : (1) Figures for [ 2t, 2.5t model ]. For [ 3t model ] +45mm  
 (2) Weight for diesel model: [ 2t model ]+120kg, [ 2.5t model ]+120kg, [ 3t model ]+130kg.

Wide View Full Free 2-Stage Mast VFM

| Mast Model | Rated Capacity/ 500mm load center(kg) |               |                    |               |                    |           | Max. Fork Height | (3)Free lift |                          |               | Tilting Angle F/B | (4) Service weight(kg) |      |      |                 |      |      |                 |      |      |
|------------|---------------------------------------|---------------|--------------------|---------------|--------------------|-----------|------------------|--------------|--------------------------|---------------|-------------------|------------------------|------|------|-----------------|------|------|-----------------|------|------|
|            | FHG20T3 / FHD20T3A                    |               | FHG25T3 / FHD25T3A |               | FHG30T3 / FHD30T3A |           |                  | (1) Lowered  | (2) Raised with Backrest | with Backrest |                   | FHG20T3 FHD20C3        |      |      | FHG25T3 FHD25C3 |      |      | FHG30T3 FHD30C3 |      |      |
|            | PNEUMATIC                             | UNIQUE/SE     | PNEUMATIC          | UNIQUE/SE     | PNEUMATIC          | UNIQUE/SE |                  |              |                          |               |                   | S                      | DD   | SDD  | S               | DD   | SDD  | S               | DD   | SDD  |
| VFM250     | 2000                                  | 2000          | 2500               | 2500          | 3000               | 3000      | 2500             | 1780         | 3530                     | 780           | 6-10              | 3245                   | 3350 | 3365 | 3595            | 3700 | 3715 | 4260            | 4295 | 4410 |
| VFM270     | 2000                                  | 2000          | 2500               | 2500          | 3000               | 3000      | 2700             | 1880         | 3730                     | 880           | 6-10              | 3265                   | 3370 | 3385 | 3615            | 3720 | 3735 | 4275            | 4310 | 4425 |
| VFM300     | 2000                                  | 2000          | 2500               | 2500          | 3000               | 3000      | 3000             | 2030         | 4030                     | 1030          | 6-12              | 3290                   | 3395 | 3410 | 3640            | 3745 | 3760 | 4305            | 4340 | 4455 |
| VFM330     | 2000                                  | 2000          | 2500               | 2500          | 3000               | 3000      | 3300             | 2180         | 4330                     | 1180          | 6-12              | 3315                   | 3420 | 3435 | 3665            | 3770 | 3785 | 4330            | 4365 | 4480 |
| VFM350     | 2000                                  | 2000          | 2500               | 2500          | 3000               | 3000      | 3500             | 2280         | 4530                     | 1280          | 6-12              | 3330                   | 3435 | 3450 | 3680            | 3785 | 3800 | 4345            | 4380 | 4495 |
| VFM375     | 2000                                  | 2000          | 2500               | 2500          | 3000               | 3000      | 3750             | 2405         | 4780                     | 1405          | 6-6<br>*6-12      | 3350                   | 3455 | 3470 | 3700            | 3805 | 3820 | 4370            | 4405 | 4520 |
| VFM400     | 2000                                  | 2000          | 2500               | 2500          | 3000               | 3000      | 4000             | 2580         | 5030                     | 1580          | 6-6<br>*6-12      | 3410                   | 3515 | 3530 | 3760            | 3865 | 3880 | 4435            | 4470 | 4585 |
| VFM425     | 1950<br>*2000                         | 1950<br>*2000 | 2450<br>*2500      | 2450<br>*2500 | 2900<br>*3000      | 3000      | 4250             | 2705         | 5280                     | 1705          | 6-6<br>*6-12      | 3430                   | 3535 | 3550 | 3780            | 3885 | 3900 | 4455            | 4490 | 4605 |
| VFM450     | 1900<br>*1950                         | 1900<br>*1950 | 2150<br>*2450      | 2150<br>*2450 | 2800<br>*3000      | 3000      | 4500             | 2830         | 5530                     | 1830          | 6-6<br>*6-12      | 3455                   | 3560 | 3575 | 3805            | 3910 | 3925 | 4475            | 4510 | 4625 |
| VFM475     | 1800<br>*1850                         | 1800<br>*1850 | 1850<br>*2350      | 2200<br>*2350 | 2750<br>*2900      | 2900      | 4750             | 2955         | 5780                     | 1955          | 6-6<br>*6-6       | 3475                   | 3580 | 3595 | 3825            | 3930 | 3945 | 4500            | 4535 | 4650 |
| VFM500     | 1650<br>*1700                         | 1700          | 1700<br>*2250      | 2000<br>*2250 | 2700<br>*2850      | 2850      | 5000             | 3080         | 6030                     | 2080          | 6-6<br>*6-6       | 3495                   | 3600 | 3615 | 3845            | 3950 | 3965 | 4520            | 4555 | 4670 |
| VFM550     | *1500                                 | *1500         | *1700              | *1700         | *2400              | *2400     | 5500             | 3380         | 6530                     | 2380          | *3-6              |                        |      |      | 3680            | 3695 |      | 4030            | 4045 |      |
| VFM600     | *1300                                 | *1300         | *1400              | *1400         | *2000              | *2000     | 6000             | 3630         | 7030                     | 2630          | *3-6              |                        |      |      | 3720            | 3735 |      | 4070            | 4085 |      |

NOTE : (1) Figures for [ 2t, 2.5t model ]. For [ 3t model ] +45mm  
 (2) Figures for [ 2t, 2.5t model ]. For [ 3t model ] +230mm  
 For height without backrest: [ 2t, 2.5t model ]-385mm, [ 3t model ]-520mm  
 (3) Figures for [ 2t, 2.5t model ]. For [ 3t model ] -180mm  
 For free lift without backrest: [ 2t, 2.5t model ]+385mm, [ 3t model ]+520mm  
 (4) Weight for without backrest: [ 2t, 2.5t model ]-20kg, [ 3t model ]-30kg  
 Weight for diesel model: [ 2t model ]+120kg, [ 2.5t model ]+120kg, [ 3t model ]+130kg.

Wide View Full Free 3-Stage Mast VFHM

| Mast Model | Rated Capacity/ 500mm load center(kg) |               |                    |               |                    |           | Max. Fork Height | (3)Free lift |                          |               | Tilting Angle F/B | (4) Service weight(kg) |      |      |                 |      |      |                 |      |      |
|------------|---------------------------------------|---------------|--------------------|---------------|--------------------|-----------|------------------|--------------|--------------------------|---------------|-------------------|------------------------|------|------|-----------------|------|------|-----------------|------|------|
|            | FHG20T3 / FHD20T3A                    |               | FHG25T3 / FHD25T3A |               | FHG30T3 / FHD30T3A |           |                  | (1) Lowered  | (2) Raised with Backrest | with Backrest |                   | FHG20T3 FHD20C3        |      |      | FHG25T3 FHD25C3 |      |      | FHG30T3 FHD30C3 |      |      |
|            | PNEUMATIC                             | UNIQUE/SE     | PNEUMATIC          | UNIQUE/SE     | PNEUMATIC          | UNIQUE/SE |                  |              |                          |               |                   | S                      | DD   | SDD  | S               | DD   | SDD  | S               | DD   | SDD  |
| VFHM360    | 2000                                  | 2000          | 2500               | 2500          | 3000               | 3000      | 3600             | 1780         | 4630                     | 780           | 6-6<br>*6-10      | 3385                   | 3490 | 3505 | 3735            | 3840 | 3855 | 4405            | 4440 | 4555 |
| VFHM400    | 2000                                  | 2000          | 2500               | 2500          | 3000               | 3000      | 4000             | 1905         | 5030                     | 905           | 6-6<br>*6-10      | 3415                   | 3520 | 3535 | 3765            | 3870 | 3885 | 4435            | 4470 | 4585 |
| VFHM435    | 1900<br>*2000                         | 1900<br>*2000 | 2200<br>*2400      | 2300<br>*2400 | 2900<br>*3000      | 2900      | 4350             | 2030         | 5380                     | 1030          | 6-6<br>*6-10      | 3445                   | 3550 | 3565 | 3795            | 3900 | 3915 | 4470            | 4505 | 4620 |
| VFHM480    | 1700<br>*1900                         | 1800<br>*1900 | 1900<br>*2300      | 2200<br>*2300 | 2800<br>*2900      | 2800      | 4800             | 2180         | 5830                     | 1180          | 6-6<br>*6-10      | 3475                   | 3580 | 3595 | 3825            | 3930 | 3945 | 4505            | 4540 | 4655 |
| VFHM500    | 1500<br>*1800                         | 1750<br>*1800 | 1600<br>*2250      | 2000<br>*2250 | 2600<br>*2750      | 2750      | 5000             | 2280         | 6030                     | 1280          | 6-6<br>*6-10      | 3500                   | 3605 | 3620 | 3850            | 3955 | 3970 | 4530            | 4565 | 4680 |
| VFHM540    | 1200<br>*1750                         | 1650<br>*1750 | 1300<br>*2150      | 1700<br>*2150 | 1900<br>*2650      | 2500      | 5400             | 2405         | 6430                     | 1405          | 3-6<br>*3-6       | 3530                   | 3635 | 3650 | 3880            | 3985 | 4000 | 4565            | 4600 | 4715 |
| VFHM600    | 900<br>*1650                          | 1100<br>*1650 | 950<br>*1800       | 1100<br>*1800 | 1400<br>*2100      | 1850      | 6000             | 2630         | 7030                     | 1630          | 3-6<br>*3-6       | 3625                   | 3730 | 3745 | 3975            | 4080 | 4095 | 4660            | 4695 | 4810 |
| VFHM650    | *1500                                 | *1500         | *1550              | *1550         | *1700              | *1700     | 6500             | 2845         | 7530                     | 1845          | *3-3              |                        |      |      | 3785            | 3800 |      | 4135            | 4150 |      |
| VFHM700    | *1250                                 | *1250         | *1250              | *1250         | *1350              | *1350     | 7000             | 3065         | 8030                     | 2065          | *3-3              |                        |      |      | 3840            | 3855 |      | 4190            | 4205 |      |

NOTE : (1) Figures for [ 2t, 2.5t model ]. For [ 3t model ] +45mm  
 (2) Figures for [ 2t, 2.5t model ]. For [ 3t model ] +230mm  
 For height without backrest: [ 2t, 2.5t model ]-455mm, [ 3t model ]-580mm  
 (3) Figures for [ 2t, 2.5t model ]. For [ 3t model ] -180mm  
 For free lift without backrest: [ 2t, 2.5t model ]+455mm, [ 3t model ]+580mm  
 (4) Weight for without backrest: [ 2t, 2.5t model ]-20kg, [ 3t model ]-30kg  
 Weight for diesel model: [ 2t model ]+120kg, [ 2.5t model ]+120kg, [ 3t model ]+130kg.

Wide View Mast

Wide View Full Free 2-Stage Mast VFW (4CYLINDER)

| Mast Model | Rated Capacity/ 500mm load center(kg) |               |                    |               |                    |           | Max. Fork Height | Overall Mast Height |                          |               | (3)Free lift with Backrest | Tilting Angle F/B | (4) Service weight(kg) |      |      |                 |      |      |                 |      |     |
|------------|---------------------------------------|---------------|--------------------|---------------|--------------------|-----------|------------------|---------------------|--------------------------|---------------|----------------------------|-------------------|------------------------|------|------|-----------------|------|------|-----------------|------|-----|
|            | FHG20T3 / FHD20T3A                    |               | FHG25T3 / FHD25T3A |               | FHG30T3 / FHD30T3A |           |                  | (1) Lowered         | (2) Raised with Backrest | with Backrest |                            |                   | FHG20T3 FHD20C3        |      |      | FHG25T3 FHD25C3 |      |      | FHG30T3 FHD30C3 |      |     |
|            | PNEUMATIC                             | UNIQUE/SE     | PNEUMATIC          | UNIQUE/SE     | PNEUMATIC          | UNIQUE/SE |                  |                     |                          |               |                            |                   | S                      | DD   | SDD  | S               | DD   | SDD  | S               | DD   | SDD |
| VFW300     | 1900                                  | 1900          | 2400               | 2400          | 2900               | 2900      | 3000             | 2045                | 4030                     | 1045          | 6-12                       | 3300              | 3405                   | 3525 | 3650 | 3755            | 3875 | 4320 | 4355            | 4505 |     |
| VFW330     | 1900                                  | 1900          | 2400               | 2400          | 2900               | 2900      | 3300             | 2195                | 4330                     | 1195          | 6-12                       | 3330              | 3435                   | 3555 | 3680 | 3785            | 3905 | 4345 | 4380            | 4530 |     |
| VFW350     | 1900                                  | 1900          | 2400               | 2400          | 2900               | 2900      | 3500             | 2295                | 4530                     | 1295          | 6-12                       | 3345              | 3450                   | 3570 | 3695 | 3800            | 3920 | 4365 | 4400            | 4550 |     |
| VFW375     | 1800<br>*1900                         | 1800<br>*1900 | 2350               | 2350          | 2900               | 2900      | 3750             | 2420                | 4780                     | 1420          | 6-6<br>*6-12               | 3370              | 3475                   | 3595 | 3720 | 3825            | 3945 | 4385 | 4420            | 4570 |     |
| VFW400     | 1800<br>*1900                         | 1800<br>*1900 | 2300<br>*2350      | 2300<br>*2350 | 2900               | 2900      | 4000             | 2595                | 5030                     | 1595          | 6-6<br>*6-12               | 3430              | 3535                   | 3655 | 3780 | 3885            | 4005 | 4450 | 4485            | 4635 |     |

NOTE : (1) Figures for [ 2t, 2.5t model ]. For [ 3t model ] +80mm  
 (2) Figures for [ 2t, 2.5t model ]. For [ 3t model ] +230mm  
 For height without backrest: [ 2t, 2.5t model ]-455mm, [ 3t model ]-580mm  
 (3) Figures for [ 2t, 2.5t model ]. For [ 3t model ] -145mm  
 For free lift without backrest: [ 2t, 2.5t model ]+455mm, [ 3t model ]+580mm  
 (4) Weight for without backrest: [ 2t, 2.5t model ]-20kg, [ 3t model ]-30kg  
 Weight for diesel model: [ 2t model ]+120kg, [ 2.5t model ]+120kg, [ 3t model ]+130kg.

Wide View Full Free 3-Stage Mast VFHW (4CYLINDER)

| Mast Model | Rated Capacity/ 500mm load center(kg) |               |                    |               |                    |           | Max. Fork Height | Overall Mast Height |                          |               | (3)Free lift with Backrest | Tilting Angle F/B | (4) Service weight(kg) |      |      |                 |      |      |                 |      |     |
|------------|---------------------------------------|---------------|--------------------|---------------|--------------------|-----------|------------------|---------------------|--------------------------|---------------|----------------------------|-------------------|------------------------|------|------|-----------------|------|------|-----------------|------|-----|
|            | FHG20T3 / FHD20T3A                    |               | FHG25T3 / FHD25T3A |               | FHG30T3 / FHD30T3A |           |                  | (1) Lowered         | (2) Raised with Backrest | with Backrest |                            |                   | FHG20T3 FHD20C3        |      |      | FHG25T3 FHD25C3 |      |      | FHG30T3 FHD30C3 |      |     |
|            | PNEUMATIC                             | UNIQUE/SE     | PNEUMATIC          | UNIQUE/SE     | PNEUMATIC          | UNIQUE/SE |                  |                     |                          |               |                            |                   | S                      | DD   | SDD  | S               | DD   | SDD  | S               | DD   | SDD |
| VHFW435    | 1800<br>*1900                         | 1850<br>*1900 | 2200<br>*2400      | 2300<br>*2400 | 2800<br>*2900      | 2900      | 4350             | 2045                | 5380                     | 1045          | 6-6<br>6-10                | 3445              | 3550                   | 3670 | 3795 | 3900            | 4020 | 4480 | 4515            | 4665 |     |
| VHFW480    | 1700<br>*1900                         | 1800<br>*1900 | 1900<br>*2300      | 2200<br>*2300 | 2700<br>*2800      | 2800      | 4800             | 2195                | 5830                     | 1195          | 6-6<br>6-10                | 3490              | 3595                   | 3715 | 3840 | 3945            | 4065 | 4520 | 4555            | 4705 |     |
| VHFW500    | 1500<br>*1800                         | 1750<br>*1800 | 1600<br>*2250      | 2000<br>*2250 | 2600<br>*2750      | 2750      | 5000             | 2295                | 6030                     | 1295          | 6-6<br>6-10                | 3515              | 3620                   | 3740 | 3865 | 3970            | 4090 | 4545 | 4580            | 473  |     |

**Wide View Mast**

**Wide View Mast VM**

| Mast Model | Rated Capacity / 500mm load center(kg) |            | Max. Fork Height<br>mm | Overall Mast Height |                            | Tilting Angle<br>F/B<br>deg | (1) Service weight(kg) |      |
|------------|--|------------|------------------------|---------------------|----------------------------|-----------------------------|------------------------|------|
|            | FG/D35T3S                              |            |                        | Lowerd<br>mm        | Raised with Backrest<br>mm |                             | FG35T3S                |      |
|            | PNEUMATIC                              | UNIQUE(SE) |                        |                     |                            |                             | S                      | DD   |
| VM250      | 3500                                   | 3500       | 2500                   | 1885                | 3760                       | 6-10                        | 4770                   | 4785 |
| VM270      | 3500                                   | 3500       | 2700                   | 1985                | 3960                       | 6-10                        | 4790                   | 4805 |
| VM300      | 3500                                   | 3500       | 3000                   | 2135                | 4260                       | 6-12                        | 4820                   | 4835 |
| VM330      | 3500                                   | 3500       | 3300                   | 2285                | 4560                       | 6-12                        | 4850                   | 4865 |
| VM350      | 3500                                   | 3500       | 3500                   | 2385                | 4760                       | 6-12                        | 4870                   | 4885 |
| VM375      | 3500                                   | 3500       | 3750                   | 2510                | 5010                       | 6-6<br>*6-12                | 4890                   | 4905 |
| VM400      | 3500                                   | 3500       | 4000                   | 2685                | 5260                       | 6-6<br>*6-12                | 4960                   | 4975 |
| VM425      | 3500                                   | 3500       | 4250                   | 2810                | 5510                       | 6-6<br>*6-12                | 4985                   | 5000 |
| VM450      | 3400                                   | 3450       | 4500                   | 2935                | 5760                       | 6-6<br>*6-12                | 5005                   | 5020 |
| VM475      | 3400                                   | 3400       | 4750                   | 3060                | 6010                       | 6-6                         | 5030                   | 5045 |
| VM500      | 3300                                   | 3350       | 5000                   | 3185                | 6260                       | 6-6                         | 5055                   | 5070 |
| VM550      | *3200                                  | *3200      | 5500                   | 3485                | 6760                       | *3-6                        |                        | 5160 |
| VM600      | *2400                                  | *2400      | 6000                   | 3735                | 7260                       | *3-6                        |                        | 5205 |

NOTE : (1) Weight for diesel model: +120kg (QD32)

**Wide View Full Free 2-Stage Mast VFM**

| Mast Model | Rated Capacity / 500mm load center(kg) |            | Max. Fork Height<br>mm | Overall Mast Height |                               | (2)Free lift with Backrest<br>mm | Tilting Angle<br>F/B<br>deg | (3) Service weight(kg) |      |
|------------|--|------------|------------------------|---------------------|-------------------------------|----------------------------------|-----------------------------|------------------------|------|
|            | FG/D35T3S                              |            |                        | Lowerd<br>mm        | (1)Raised with Backrest<br>mm |                                  |                             | FG35T3S                |      |
|            | PNEUMATIC                              | UNIQUE(SE) |                        |                     |                               |                                  |                             | S                      | DD   |
| VFM250     | 3500                                   | 3500       | 2500                   | 1885                | 3760                          | 655                              | 6-10                        | 4860                   | 4875 |
| VFM270     | 3500                                   | 3500       | 2700                   | 1985                | 3960                          | 755                              | 6-10                        | 4880                   | 4895 |
| VFM300     | 3500                                   | 3500       | 3000                   | 2135                | 4260                          | 905                              | 6-12                        | 4910                   | 4925 |
| VFM330     | 3500                                   | 3500       | 3300                   | 2285                | 4560                          | 1055                             | 6-12                        | 4945                   | 4960 |
| VFM350     | 3500                                   | 3500       | 3500                   | 2385                | 4760                          | 1155                             | 6-12                        | 4965                   | 4980 |
| VFM375     | 3500                                   | 3500       | 3750                   | 2510                | 5010                          | 1280                             | 6-6<br>*6-12                | 4995                   | 5010 |
| VFM400     | 3500                                   | 3500       | 4000                   | 2685                | 5260                          | 1455                             | 6-6<br>*6-12                | 5065                   | 5080 |
| VFM425     | 3500                                   | 3500       | 4250                   | 2810                | 5510                          | 1580                             | 6-6<br>*6-12                | 5095                   | 5110 |
| VFM450     | 3400                                   | 3400       | 4500                   | 2935                | 5760                          | 1705                             | 6-6<br>*6-12                | 5120                   | 5135 |
| VFM475     | 3300                                   | 3300       | 4750                   | 3060                | 6010                          | 1830                             | 6-6                         | 5145                   | 5160 |
| VFM500     | 3200                                   | 3250       | 5000                   | 3185                | 6260                          | 1955                             | 6-6                         | 5175                   | 5190 |
| VFM550     | *3000                                  | *3000      | 5500                   | 3485                | 6760                          | 2255                             | *3-6                        |                        | 5285 |
| VFM600     | *2400                                  | *2400      | 6000                   | 3735                | 7260                          | 2505                             | *3-6                        |                        | 5340 |

NOTE : (1) For height without backrest: -445mm  
 (2) For free lift without backrest: +445mm  
 (3) Weight for without backrest: -30kg  
 Weight for diesel model: +120kg (QD32)

**Wide View Full Free 3-Stage Mast VFHM**

| Mast Model | Rated Capacity / 500mm load center(kg) |               | Max. Fork Height<br>mm | Overall Mast Height |                               | (2)Free lift with Backrest<br>mm | Tilting Angle<br>F/B<br>deg | (3) Service weight(kg) |      |
|------------|--|---------------|------------------------|---------------------|-------------------------------|----------------------------------|-----------------------------|------------------------|------|
|            | FG/D35T3S                              |               |                        | Lowerd<br>mm        | (1)Raised with Backrest<br>mm |                                  |                             | FG35T3S                |      |
|            | PNEUMATIC                              | UNIQUE(SE)    |                        |                     |                               |                                  |                             | S                      | DD   |
| VFHM360    | 3500                                   | 3500          | 3600                   | 1885                | 4860                          | 655                              | 6-6<br>*6-10                | 4975                   | 4990 |
| VFHM400    | 3500                                   | 3500          | 4000                   | 2010                | 5260                          | 780                              | 6-6<br>*6-10                | 5010                   | 5025 |
| VFHM435    | 3500                                   | 3500          | 4350                   | 2135                | 5610                          | 905                              | 6-6<br>*6-10                | 5040                   | 5055 |
| VFHM480    | 3400                                   | 3400          | 4800                   | 2285                | 6060                          | 1055                             | 6-6<br>*6-10                | 5080                   | 5095 |
| VFHM500    | 3300                                   | 3300          | 5000                   | 2385                | 6260                          | 1155                             | 6-6<br>*6-10                | 5110                   | 5125 |
| VFHM540    | 2600<br>*3200                          | 2700<br>*3200 | 5400                   | 2510                | 6660                          | 1280                             | 3-6<br>*3-6                 | 5140                   | 5155 |
| VFHM600    | 1600<br>*2400                          | 2000<br>*2400 | 6000                   | 2735                | 7260                          | 1505                             | 3-6<br>*3-6                 | 5250                   | 5265 |
| VFHM650    | *2000                                  | *2000         | 6500                   | 2950                | 7760                          | 1720                             | *3-3                        |                        | 5330 |
| VFHM700    | *1600                                  | *1600         | 7000                   | 3170                | 8260                          | 1940                             | *3-3                        |                        | 5390 |

NOTE : (1) For height without backrest: -530mm  
 (2) For free lift without backrest: +530mm  
 (3) Weight for without backrest: -30kg  
 Weight for diesel model: +120kg (QD32)

**NOTE :**

Rated capacity with (\*): Shows capacity with front dual tires.  
 Lifting speed with VFM/VFHM mast: with VFM 390mm/s with load. 410mm/s without load.  
 with VFHM 450mm/s with load. 470mm/s without load.  
 Lowering speed with VFM/VFHM mast: 440mm/s with load. 380mm/s without load.  
 Overall vehicle length with VFHM mast: +15mm longer than of standard model with VM/VFM mast.

**STANDARD EQUIPMENT AND ACCESSORIES**

**[Equipment]**

- Adjustable ORS seat with belt
- Asbestos-free brake shoe materials
- Cylinder type bonnet latch with locking function
- Donaldson dry type cyclopac air-cleaner
- Drawbar device
- Durable overhead guard with resin screen
- Engine auto glow system (Diesel)
- Engine idle-up device(Gasoline)
- Flow control valve
- Fuel water sedimenter (Diesel)
- Full hydrostatic power steering
- Full transistorized ignition (Gasoline)
- Hydraulic oil dipstick
- Interlock system<sup>1)</sup>
- ITA class III carriage
- J-lug pneumatic industrial tires
- Lift circuit cut-off valve
- Load backrest
- Radiator coolant reservoir
- Return hydraulic filter
- Suction hydraulic strainer
- Tilt lock valve
- Transmission oil dipstick (power shift T/M)
- Transmission oil filter (power shift T/M)
- Wide view two stage mast(VM300)
- 1070mm forks
- 2-spool control valve with pressure relief

**[Controls]**

- Electric shift control lever (direction change)
- Lift and tilt levers
- Multi-function switch lever with self-cancelling mechanism (Lighting & turn-signal)
- Parking brake lever with inter-lock
- Tilt adjustable steering post
- Neutral safety mechanism

**[Accessories]**

- Access-assisted hand grip
- Back-up buzzer
- Back-up lights
- Deluxe floor mat
- Detachable and portable glove box
- Electric horn
- Front combination lights (turn signal, clearance)
- Head lights - traffic purpose
- High-mounted rear combination lights
- Operator tool kit
- Pen/ Cup holder
- Side view mirrors

**[Instruments and Switch]**

- Charge indicator
- Engine oil pressure warning indicator
- Fuel gauge
- Glow indicator (Diesel)
- Hourmeter
- Ignition key engine stop (Diesel)
- Neutral safety switch
- Fuel water sedimenter indicator (Diesel)
- Water temperature gauge

**NOTE :**

Meets following major standards and code:  
 ISO 1074 Counter Balanced Lift Trucks, Stability & Safety Test (Int'l)  
 ISO 3691 Powered industrial trucks - safety code  
 JIS D6001 Industrial Lift Trucks (Japan)  
 JIS D6011 Stability & Safety Test (Japan)  
 Overhead guard meets ISO 6055, JIS 6021  
 In conformity with provision of the Machinery Directive 98/37/EC, as amended,  
 and with National implementing legislation:  
 (European and Scandinavian export trucks)  
 Specifications are subject to change without notice and its may vary dependng on markets.  
 Please consult your TCM representative for details.

**OPTIONAL LOADING ATTACHMENT**

- Alternative fork lengths
- Alternative lengths fork extension sleeve
- Bale clamp (LG)
- Carton clamp(2-3t) (CLG)
- Crane arm (CA)
- Drum clamp(2-3t) (DLG)
- Fork clamp(2-3t) (FLG)
- Fork positioner hydraulic type(Hook-on/ Integral)(FS)
- Fork positioner manual type
- High, wide type load backrest
- Hinged forks/ scoop (HFS)
- Load push-pull(2-3t) (PPC)
- Load stabilizer(2-3t) (STA)
- Ram attachment (RA)
- Rotating forks (Hook-on/ Integral type) (RF)
- Rotating paper roll clamp (Hook-on/ Integral type)(PR)
- Side-shifter(Hook-on/ Integral) (SS)
- Sleeve-in hook
- Wide type fork carriage
- Wide view full free 2-stage (VFM) mast
- Wide view full free 3-stage (VFHM) mast
- Wide view full free 2-stage 4cyl (VFW) mast(2-3t)
- Wide view full free 3-stage 4cyl (VFHW) mast(2-3t)

**OPTIONAL EQUIPMENT AND ACCESSORIES**

**[Equipment]**

- Auxiliary hydraulic valve modules(max. 5spool)
- Cabin - panel type(SCBPA)
- Central greasing system (CL)
- Color tire (white, green)
- Dual element aircleaner( ADE )
- Exhaust purify catalytic muffler(EPM)(Diesel)
- Fingertip hydraulic valve control (FIT)
- Fishery industry package (FC)(2-3t)
- Front dual drive wheels( DD/ SDD )
- Full open cabine(AW 061)
- Heater(HR)
- Heater & defroster (DEF)
- High capacity radiator - High power model(RAD PF2)
- Interlock system<sup>1)</sup> (SIL)
- Lift lock mechanism (VLL)
- Load sensing valve (VLS)
- LPG exclusive/ Dual fuel(LPG - Gasoline) package
- Non-slip differential(power shift T/M)
- Oil clutch(manual T/M)
- Overhead exhaust system(TUE)
- Overhead guard/ High profile
- Overhead guard/ Low profile
- Plate fin type radiator(RAD PF)
- Power clutch(manual T/M)
- Pre-cleaner engine air intake(CAK B)(Gasoline)
- Radiator dust screen (fine, medium mesh)
- Smoke reduction/spark arrester muffler (Diesel)
- Steel cabin - enclosed type(SCB 001)
- Synchronised steering mechanism(SRS)
- Unique cushion tires(SE)
- Windshield wiper

**[Accessories]**

- Custom paint-work
- Fire extinguisher(FE)
- Rear working light(RWL)
- Rotating warning light(RLY/RLR)
- Tilt cylinder boots(TLB)

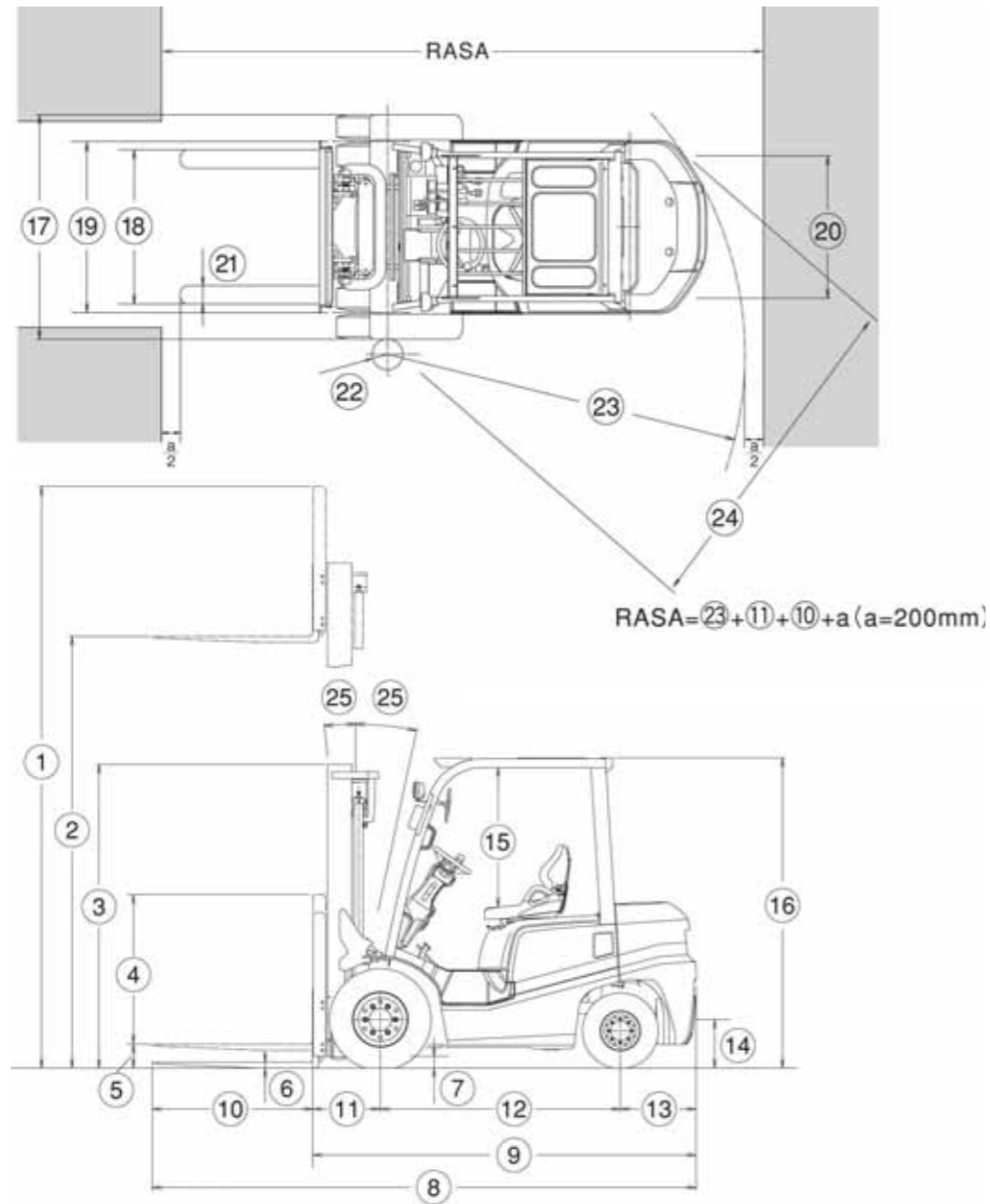
**[Instruments and Switch]**

- Ammeter (AM)
- O.K. monitor (fuel level, battery electrolyte level, coolant level, parking brake, air-cleaner, seat-belt)
- Speedometer (SM)
- Torque converter oil pressure gauge (TPM)
- Torque converter oil temperature gauge (power shift T/M)

Others on request

NOTE : 1) STD for EXE/EXN specification

| GROUND CLEARANCE | FD / FG20-25   | FD / FG30   | FD/FG35T3S |
|------------------|----------------|-------------|------------|
|                  | FHD / FHG20-25 | FHD / FHG30 | mm         |
| Mast             | 110            | 140         | 145        |
| Frame            | 120            | 145         | 190        |
| Front axle       | 125            | 145         | 165        |
| Rear axle        | 150            | 175         | 185        |
| Counter weight   | 155            | 185         | 225        |



## STANDARD DIMENSIONS

### STANDARD DIMENSIONS

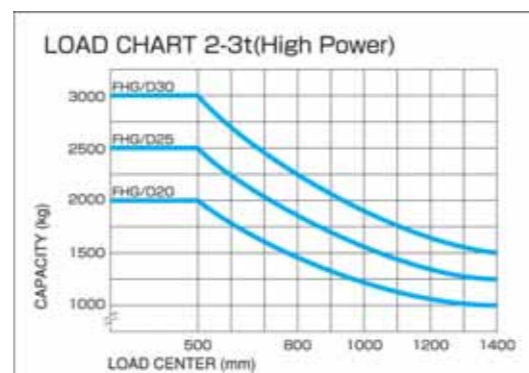
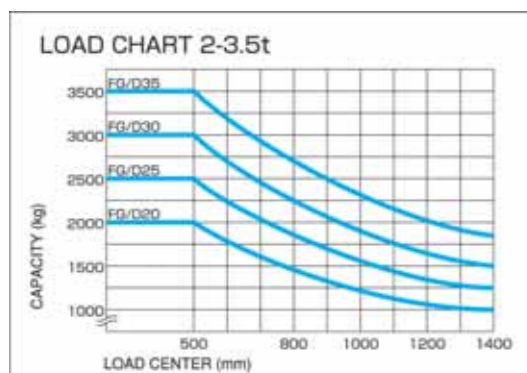
| Model  | FD / FG20   | FD / FG25   | FD / FG30   | FD/FG35T3S |
|--|-------------|-------------|-------------|------------|
|  | FHD / FHG20 | FHD / FHG25 | FHD / FHG30 | mm         |
| ① Overall height, fork raised(with backrest)                     | 4030        | 4030        | 4260        | 4255       |
| ② Maximum fork height  | 3000        | 3000        | 3000        | 3000       |
| ③ Mast height, fork lowered                                      | 2030        | 2030        | 2075        | 2135       |
| ④ Backrest height  | 1000        | 1000        | 1220        | 1220       |
| ⑤ Free lift  | 110         | 110         | 165         | 170        |
| ⑥ Fork thickness   | 40          | 40          | 45          | 50         |
| ⑦ Ground clearance(front axle)                                   | 125         | 125         | 145         | 145/165    |
| ⑧ Overall length(with forks)                                     | 3555        | 3625        | 3775        | 3870       |
| ⑨ Length to fork face  | 2485        | 2555        | 2705        | 2800       |
| ⑩ Fork length  | 1070        | 1070        | 1070        | 1070       |
| ⑪ Load distance(centerline of front axle to front face of forks) | 450         | 450         | 480         | 495        |
| ⑫ Wheelbase  | 1600        | 1600        | 1700        | 1700       |
| ⑬ Rear overhang  | 435         | 505         | 525         | 605        |
| ⑭ Drawbar Pin Center Height                                      | 530         | 530         | 560         | 610        |
| ⑮ Overhead guard clearance(from face of seat)**                  | 1005        | 1005        | 1005        | 1005       |
| ⑯ Overall height(overhead guard)**                               | 2070        | 2070        | 2090        | 2140       |
| ⑰ Overall width  | 1150        | 1150        | 1225        | 1290       |
| ⑱ Fork spread(outside)   | 245 - 1020  | 245 - 1020  | 250 - 1090  | 300 - 1090 |
| ⑲ Tread (front)  | 970         | 970         | 1000        | 1060       |
| ⑳ Tread (rear)   | 970         | 970         | 970         | 970        |
| ㉑ Fork width   | 122         | 122         | 125         | 150        |
| ㉒ Inside turning radius  | 160         | 160         | 200         | 200        |
| ㉓ Outside turning radius   | 2170        | 2240        | 2400        | 2470       |
| ㉔ Minimum intersecting aisle                                     | 2210        | 2230        | 2330        | 2390/2380  |
| ㉕ Tilt angles(forward-backward)                                  | 6 ° - 12 °  | 6 ° - 12 °  | 6 ° - 12 °  | 6 ° - 12   |

NOTE : \*\*Oceania(EXC), European(EXE) and Scandinavian export trucks(EXN): +60mm

### DIMENSIONS WITH FRONT DUAL DRIVE WHEELS (option)

| Model                           | FD / FG20          | FD / FG25   | FD / FG30           | FD/FG35T3S |
|---------------------------------|--------------------|-------------|---------------------|------------|
|                                 | FHD / FHG20        | FHD / FHG25 | FHD / FHG30         | mm         |
| Tire size (front dual Type: DD) | 4 x 5.50-15-8PR(I) |             | 4 x 6.00-15-10PR(I) |            |
| ⑰ Overall width                 | 1480               | 1480        | 1520                | 1600       |
| ⑲ Tread (front)                 | 1130               | 1130        | 1170                | 1230       |
| ㉒ Inside turning radius         | 100                | 100         | 100                 | 100        |
| ㉓ Outside turning radius        | 2240               | 2310        | 2430                | 2540       |
| ㉔ Minimum intersecting aisle    | 2320               | 2340        | 2445                | 2500       |

| Tire size (front dual Type: SDD) | 4 x 7.00 -12-12PR(I) |      | 4 x 28 x 9-15-12PR(I) |
|----------------------------------|----------------------|------|-----------------------|
|                                  | mm                   | mm   | mm                    |
| ⑰ Overall width                  | 1590                 | 1590 | 1750                  |
| ⑲ Tread (front)                  | 1190                 | 1190 | 1260                  |
| ㉒ Inside turning radius          | 100                  | 100  | 100                   |
| ㉓ Outside turning radius         | 2280                 | 2350 | 2500                  |
| ㉔ Minimum intersecting aisle     | 2370                 | 2380 | 2490                  |





# *INOMA*

TCM retains the right to change these products and specifications without incurring any obligation relating to such changes. These products and specifications are subject to change without notice. Photos and illustrations may or may not include optional equipment and accessories. Features and specifications may vary depending on markets. Performance data and dimensions are nominal and subject to tolerances.



ISO 9001 Certification  
(TCM Shiga Plant)



ISO 14001 Certification  
(TCM Shiga Plant)

**Manufactured by**

**TCM<sup>®</sup>**

**TCM CORPORATION**

Bellport E  
6-22-7, Minami-Oi, Shinagawa-ku  
Tokyo 140-0013, Japan  
TEL: +81-3-6730-3370  
FAX: +81-3-6730-3371  
<http://www.tcmglobal.net>

**Distributed by**